

# Glastender®

A family company manufacturing in the USA

[www.glastender.com](http://www.glastender.com)

Project: _____	AIA# _____
Item #: _____ Qty: _____	SIS# _____
Model #: _____	

## Wall-Mount Hand Sinks

**WH**

WH-12, WHS-12, WH-14, WHS-14



WH-12



WH-14



WHS-12



WHS-14

### Standard Features

- All stainless steel
- One-piece seamless top and backsplash featuring 1/4" radius corners
- Drawn sink bowl
- Heavy-duty, hot and cold water faucet
- WH-12 and WHS-12 include backsplash faucet mounting bracket for easy faucet removal
- Wall-mounting bracket

### Configurable Options

- Foot-operated faucet; specify option FOF-B (for WH-12 and WHS-12) or FOF-D (for WH-14 and WHS-14)
- Side splashes; specify option LS15 (left) and/or RS15 (right)
- Without faucet; add -LF suffix to model number

### Accessories

03000483 Lift-out perforated plastic wet waste strainer



**Intertek**

4004503

Conforms to NSF/ANSI STD 2



FOF-B  
Foot-operated  
faucet



FOF-D  
Foot-operated  
faucet

### Specifications

#### Drains

- 1-1/2" I.P.S. threaded drain will fit Dearborn part #8033 slipnut and part #W-573P washer

#### Faucet

- WH-12 and WHS-12: backsplash mount on 4" centers, accepts 3/8" sink leads, hot and cold water connections required
- WH-14 and WHS-14: deck mount on 4" centers, accepts 3/8" sink leads, hot and cold water connections required
- Optional foot-operated faucet: single hole, (2) 1/2" NPT female inlets and (1) 1/2" NPT female outlet
- NSF/ANSI 61, 372 low lead compliant

#### Sink Bowl Dimensions

- 9-1/4" by 11-1/2" by 6" deep

#### Materials

- 20 gauge stainless steel parts include: all components unless otherwise noted
- 18 gauge stainless steel parts include: wall-mounting bracket

**⚠ WARNING:** The plastic wet waste strainer accessory can expose you to chemicals including Bisphenol A (BPA), which is known to the State of California to cause birth defects or other reproductive harm. For more information, go to [www.P65Warnings.ca.gov](http://www.P65Warnings.ca.gov). **Part #03000483**  
**Warning applies to State of California only.**

Cleaning & care instructions: <https://www.glastender.com/support/documents/manuals/general-cleaning-and-care-instructions-for-stainless-steel>

**Glastender, Inc.** • 5400 N Michigan Rd • Saginaw, MI • 48604-9780  
989.752.4275 • 800.748.0423 • Fax 989.752.4444  
[www.glastender.com](http://www.glastender.com)

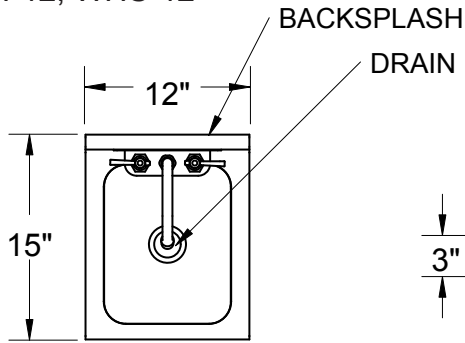
Approval/Notes:

Specifications subject to change without notice. For current specifications please visit our website.

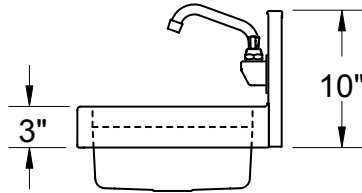
## Wall-Mount Hand Sinks

### Dimensional Information

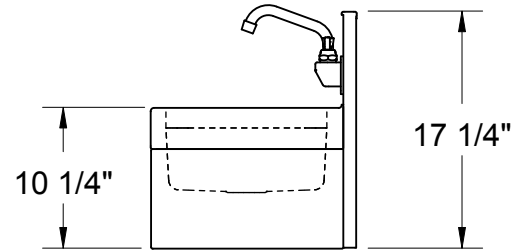
WH-12, WHS-12



PLAN VIEW

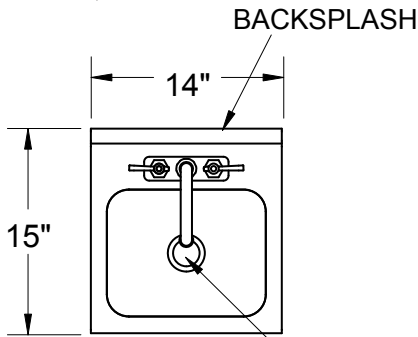


WH-12  
SIDE VIEW

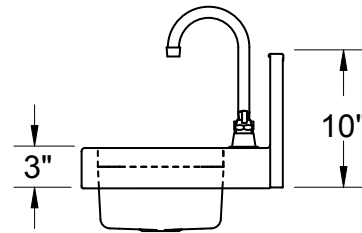


WHS-12  
SIDE VIEW

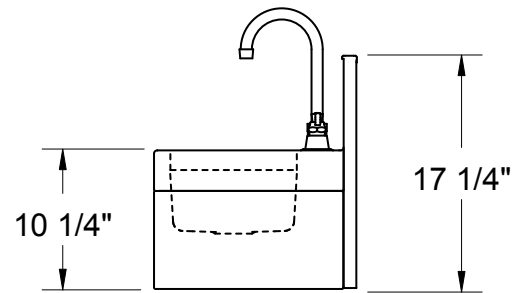
WH-14, WHS-14



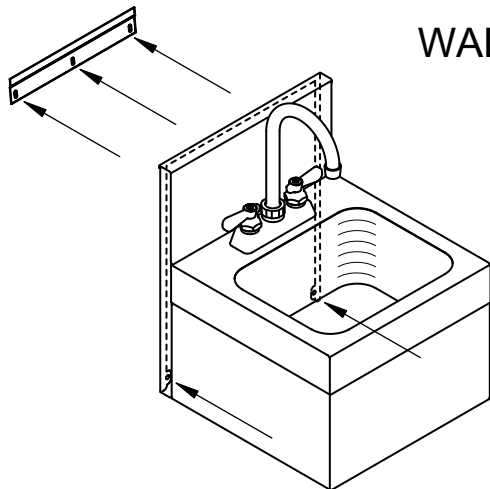
PLAN VIEW



WH-14  
SIDE VIEW



WHS-14  
SIDE VIEW



### WALL MOUNTING INSTRUCTIONS

1. Secure bracket to wall.
2. Hang sink on bracket.
3. Screw sink to wall through bracket on bottom back of sink.