



SWB-12



| | |
|--------------------------|------------|
| Project: _____ | AIA# _____ |
| Item #: _____ Qty: _____ | SIS# _____ |
| Model #: _____ | |

Wet Waste Sinks

| | |
|-----------|--------------------------------|
| SW | SWA-12, SWA-18, SWB-12, SWB-18 |
|-----------|--------------------------------|

Standard Features

- All stainless steel
- Complete welded construction to meet NSF® standards
- One-piece seamless top and backsplash featuring 1/4" radius corners
- Heavy-duty, hot and cold water faucet
- Lift-out perforated plastic wet waste strainer
- Adjustable stainless steel bullet feet

Configurable Options

- Foot-operated faucet; specify option FOF-B (SWA-12 only) or FOF-D
- Knee-operated faucet; specify option KOF-D (for SWB-12 and SWB-18 only)



*FOF-B
Foot-operated
faucet*



*FOF-D
Foot-operated
faucet*



*KOF-D
Knee-operated
faucet*

Specifications

Drain

- 1-1/2" I.P.S. threaded drain will fit Dearborn part #8033 slipnut and part #W-573P washer

Faucet

- Deck mount on 4" centers, accepts 3/8" sink leads, hot and cold water connections required (SWA-12 excluded)
- SWA-12: backsplash mounted on 4" centers, accepts 3/8" sink leads, hot and cold water connections required
- Optional foot- or knee-operated faucet: single hole, (2) 1/2" NPT female inlets and (1) 1/2" NPT female outlet
- NSF/ANSI 61, 372 low lead compliant

Sink Bowl Dimensions

- 9-1/4" by 11-1/2" by 6" deep

Legs

- 1-5/8" diameter, 16 gauge stainless steel
- Adjustable stainless steel bullet feet for total leg height of 16" to 17-1/4"

Materials

- 20 gauge stainless steel parts include: all components unless otherwise noted

⚠ WARNING: The plastic wet waste strainer included with this product can expose you to chemicals including Bisphenol A (BPA), which is known to the State of California to cause birth defects or other reproductive harm. For more information, go to www.P65Warnings.ca.gov. **Part #03000483**
Warning applies to State of California only.

Underbar installation instructions: <https://www.glastender.com/support/documents/manuals/underbar-installation-instructions>

Cleaning & care instructions: <https://www.glastender.com/support/documents/manuals/general-cleaning-and-care-instructions-for-stainless-steel>

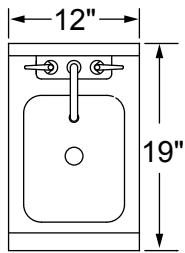
| | |
|---|-----------------|
| Glastender, Inc. • 5400 N Michigan Rd • Saginaw, MI • 48604-9780 989.752.4275 • 800.748.0423 • Fax 989.752.4444 www.glastender.com | Approval/Notes: |
| Specifications subject to change without notice. For current specifications please visit our website. | |

Wet Waste Sinks

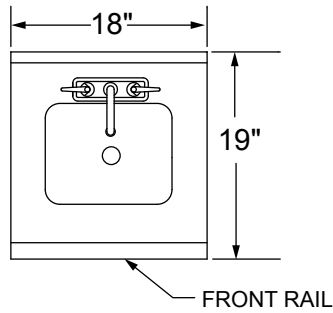
Drawings

PLAN VIEWS

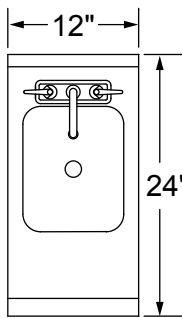
SWA-12



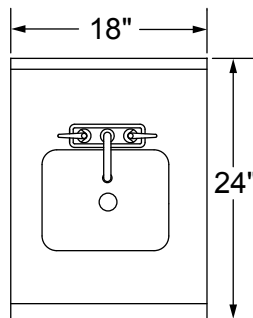
SWA-18



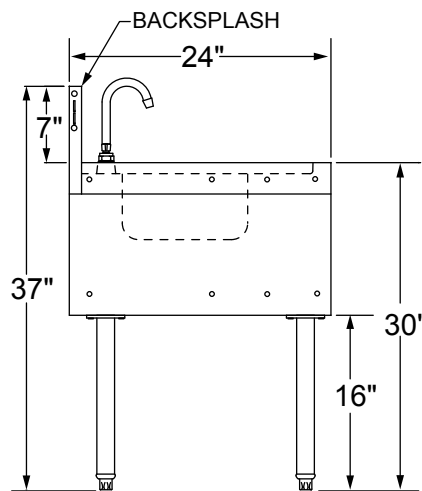
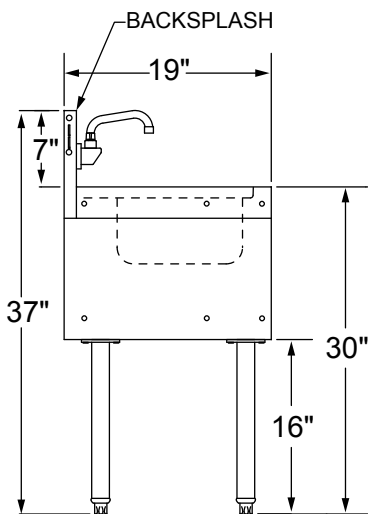
SWB-12



SWB-18



SIDE ELEVATIONS



"A" DEPTH

"B" DEPTH

(12" wide unit shown with backsplash mounted faucet. 18" wide units have deck mounted faucet.)