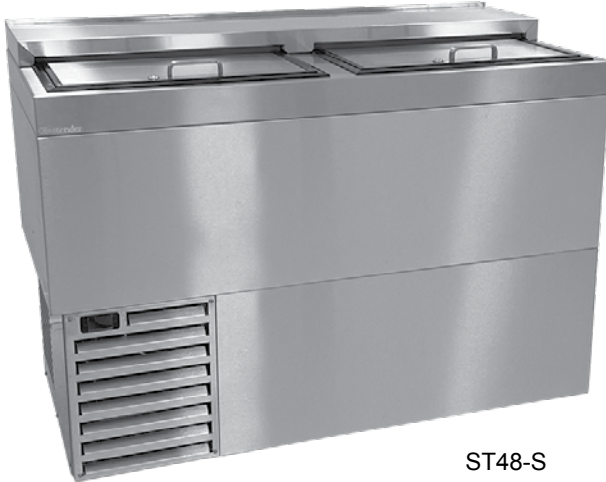


Project: _____	AIA# _____
Item #: _____ Qty: _____	SIS# _____
Model #: _____	

Slide Top Coolers

ST	ST24, ST36, ST48, ST60, ST72, ST96
-----------	------------------------------------



ST48-S

Configurable Options

- Finish:**
- Black vinyl-clad steel with galvanized steel back
 - Stainless steel front, sides, and back
- Legs:**
- 6"
- Casters:**
- 4-1/8"
 - 2-7/8"
 - 1-1/2"



4004503
 Conforms to NSF/ANSI STD 7 and UL STD 471
 Certified to CSA STD C22.2 No. 120
 Meets NSF 7 requirements for closed container products

EP 5016978
 Energy Performance
 Verified / Rendement
 Énergétique Vérifié

Intended for indoor use.

Standard Features

- Self-contained refrigeration
- All stainless steel interior with radius corners for easy cleaning
- One-piece integral top and mullion design
- Easy to plan exterior dimensions: 24" front to back and 24", 36", 48", 60", 72", or 96" left to right
- Automatic defrost cycle
- Automatic condensate evaporator - no drain connection required
- Door lock(s)

Cleaning & care instructions: <https://www.glastender.com/support/documents/manuals/general-cleaning-and-care-instructions-for-stainless-steel>

Glastender, Inc. • 5400 N Michigan Rd • Saginaw, MI • 48604-9780 989.752.4275 • 800.748.0423 • Fax 989.752.4444 www.glastender.com	Approval/Notes:
Specifications subject to change without notice. For current specifications please visit our website.	

Slide Top Coolers

Specifications

		ST24	ST36	ST48	ST60	ST72	ST96
Dimensions	Length	24"	36"	48"	60"	72"	96"
	Number of Doors	1	1	2	2	3	4
	Door Opening	n/a	n/a	n/a	n/a	n/a	n/a
Electrical	Electrical Supply	120V, 1 phase, 60 Hz, dedicated 15A circuit required					
	Full Load Amps	4.5					
	Plug Type	9 foot NEMA 5-15P grounded cord and plug which exits the back of refrigeration compartment*					
Refrigeration	Refrigerant	R290 - 125 grams, 4.41 oz., 0.28 pounds					
	Compressor	Reciprocating, 1/6 HP, 1300 BTUH, 0.11 Tons					
	Heat Rejection	1840 BTUH					
Operating Range		34°F (1°C) to 40°F (4°C)					
Plumbing		Automatic condensate evaporator. No drain connection required †					
Vertical Wire Partitions		1	2	3	4	4	5

Materials

- Stainless steel parts include: top, door, interior and optional legs. Also, front, sides and back on 'S' models
- Black vinyl-clad steel parts include: front and sides on 'B' models
- Galvanized steel parts include: base on all models and exterior back on 'B' models



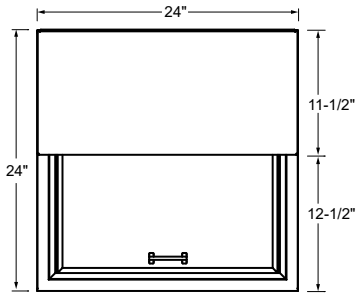
† Building conditions outside the guidelines of ASHRAE 55 and ASHRE 62.1 may need to be plumbed to a drain.

Capacities

	ST24	ST36	ST48	ST60	ST72	ST96
Bottles	144	226	330	478	610	826
Cases	6.0	9.4	13.8	19.9	25.4	34.4

Slide Top Coolers

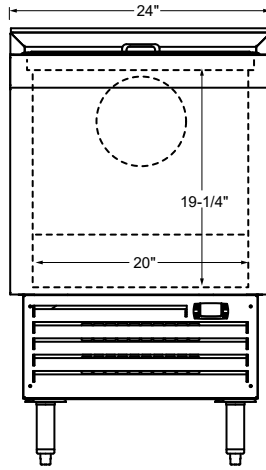
Drawings



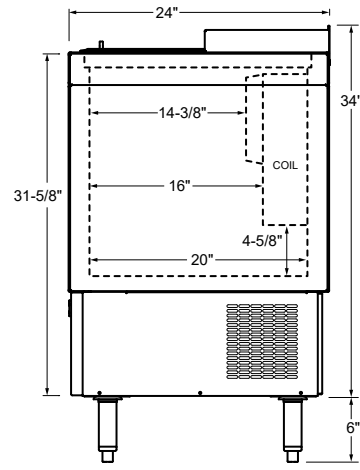
PLAN VIEW

ST24*

*ALL MODELS SHOWN WITH OPTIONAL 6" LEGS

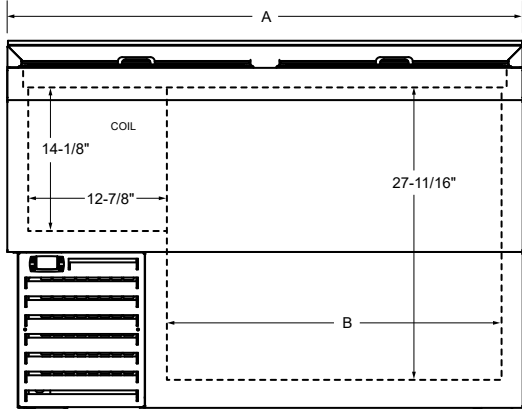
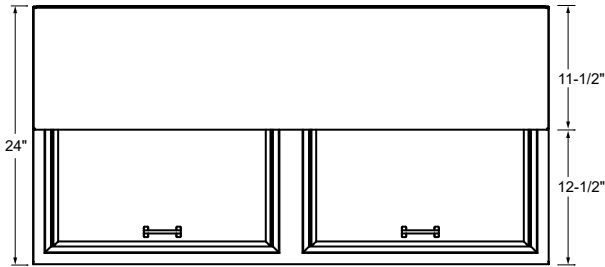


FRONT ELEVATION



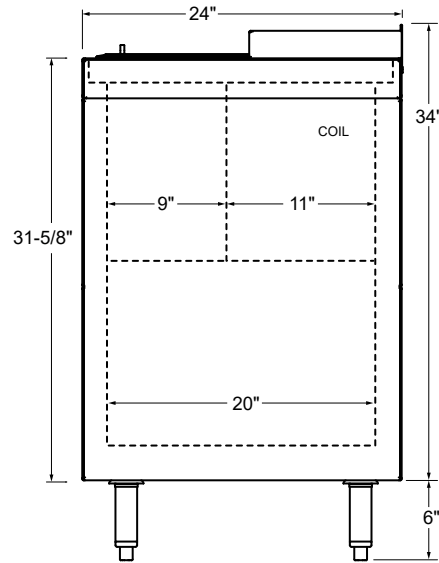
SIDE ELEVATION

PLAN VIEW



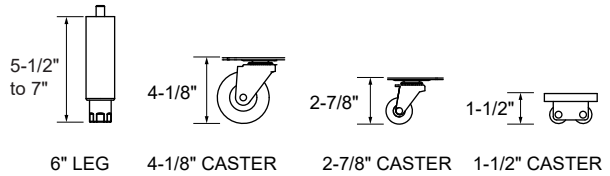
FRONT ELEVATION

ST36*, ST48*, ST60*, ST72*, ST96*



SIDE ELEVATION

OPTIONAL LEGS AND CASTERS



Model	A	B	No. of Doors
ST36	36"	19-1/8"	1 Large
ST48	48"	31-1/8"	2 Standard
ST60	60"	43-1/8"	1 Large, 1 Standard
ST72	72"	55-1/8"	3 Standard
ST96	96"	79-1/8"	4 Standard



5400 N Michigan Rd • Saginaw, MI • 48604-9780
 989.752.4275 • 800.748.0423 • Fax 989.752.4444
 www.glastender.com

Printed in USA