

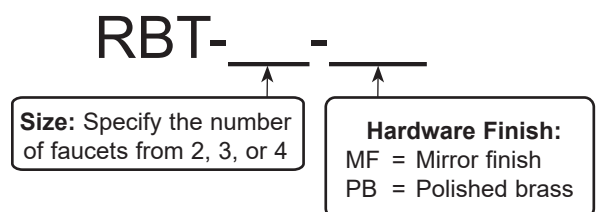
Project: _____	AIA# _____
Item #: _____ Qty: _____	SIS# _____
Model #: _____	

## Roman Towers



RBT-3-MF

NOTE: Faucet handles not included.



### Standard Features

- 1/4" stainless steel shanks with 3/16" restriction lines
- All stainless steel mirror finish faucets
- Available in mirror finish or polished brass\* (\*NOTE: Polished brass towers provided with mirror finish drain pan and polished brass perforated insert)
- Surface-mount, stainless steel drain pan with removable, perforated insert

### Configurable Options

- 2, 3, or 4 faucets
- Mirror or polished brass finish
- Air cooled for direct-draw system or glycol cooled for recirculating system
- Numerous ceramic color finishes; consult factory for details
- Rinser faucet extension to the left or right of the drain pan; specify RFE option

### Specifications

- Materials**
- Miscellaneous ceramic, stainless steel, and brass parts in dispensing tower
  - 20 gauge stainless steel parts include drain pan and perforated inserts
- Shank Sizes**
- 1/4" I.D. with 3/16" fitting
- Drains**
- 1/2" tailpiece on drain pan
- Rinser Faucet (optional)**
- Accepts 3/8" cold water lead
  - 30 psi water pressure regulator included
  - 1.2 gallons per minute

### Optional Rinser Faucet

#### Installation Notes

- Unit does not provide a 1" air gap
- Must be installed with external backflow prevention to meet applicable federal, state, and local plumbing code requirements.
- Install in-line water pressure regulator (included)
- A separate shut-off valve is recommended (not included)

03012383  
Rinser Faucet Assembly



**Intertek**  
4004503

Conforms to NSF/ANSI STD 372



Optional Rinser Faucet Extension

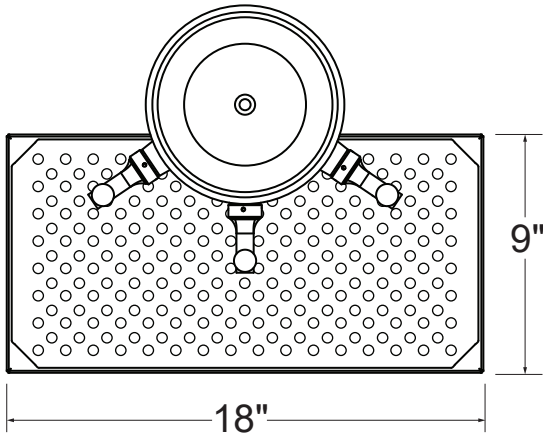
Cleaning & care instructions: <https://www.glastender.com/support/documents/manuals/general-cleaning-and-care-instructions-for-stainless-steel>

<b>Glastender, Inc.</b> • 5400 N Michigan Rd • Saginaw, MI • 48604-9780 989.752.4275 • 800.748.0423 • Fax 989.752.4444 <a href="http://www.glastender.com">www.glastender.com</a>	Approval/Notes:
---	-----------------

Specifications subject to change without notice. For current specifications please visit our website.

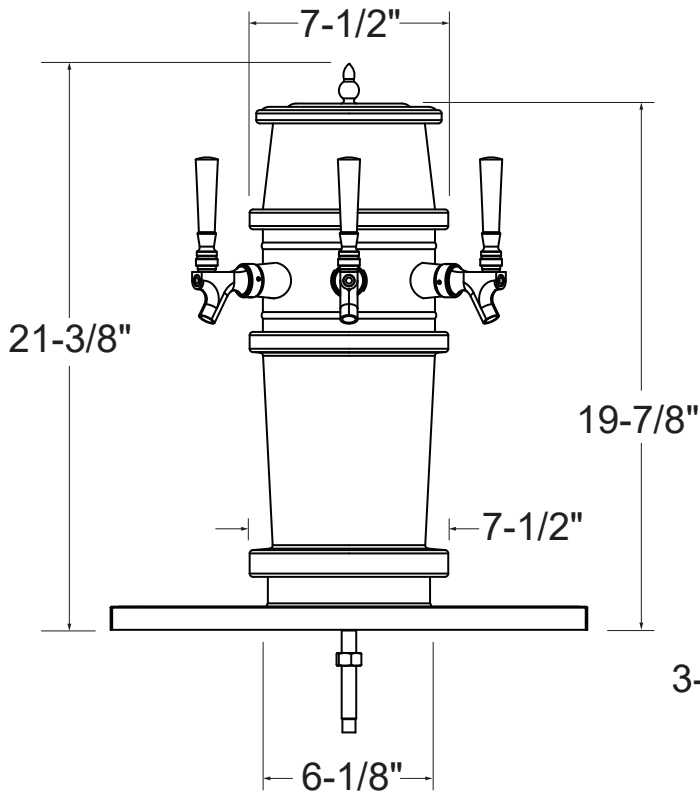
# Roman Towers

## Drawings

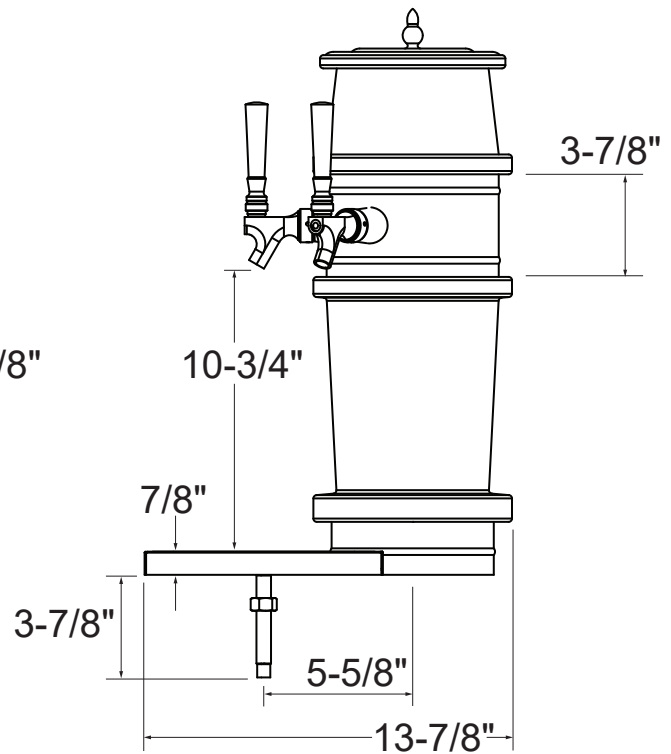


PLAN VIEW

RBT-3-MF SHOWN



FRONT ELEVATION



SIDE ELEVATION