



A family company manufacturing in the USA

www.glastender.com



PSD-42R
Bartender side shown



Intertek

4004503

Conforms to NSF/ANSI STD 2
Certified to CSA STD B45.4

WARNING: The plastic wet waste strainer included with this product can expose you to chemicals including Bisphenol A (BPA), which is known to the State of California to cause birth defects or other reproductive harm. For more information, go to www.P65Warnings.ca.gov.
Warning applies to State of California only. Part #03000483

Project: _____	AIA# _____
Item #: _____ Qty: _____	SIS# _____
Model #: _____	

Disassembly Pass-thru Stations

PSD

PSD-42L, PSD-42R

Standard Features

- Two wet waste sinks with strainers - dimensions: 9-1/4" by 11-1/2" by 6" deep
- Gooseneck faucet
- Server-side, removable stainless steel dry waste receptacle (5 gallon capacity)
- Stainless steel, draining tray shelf with removable perforated inserts
- GW24 glasswasher with bi-fold cover

Configurable Options

- Stainless or laminated front/end panels
- Leftward or rightward workflow for the bartender (designated with L or R in model number)

Accessories

SOS/SS-42	42" stainless steel single overshelf
DOS/SS-42	42" stainless steel double overshelf
01001500	Slide-out chemical bottle rack
01001601	Rack divider, two-piece assembly

Specifications

GW24 Glasswasher

- See GW24 Glasswasher spec sheet

Sink Bowls

- 9-1/4" by 11-1/2" by 6" deep

Sink Drains

- 1-1/2" I.P.S.

Tray and Overshelf (optional) Drains

- 1/2" tailpiece

Faucet

- On 4" centers, accepts 3/8" sink leads, hot and cold water connections required

Shelf Heights

- Tray shelf...44"
- Single overshelf (optional)...69"
- Double overshelf (optional)...63" and 72"

Materials

- 22 gauge stainless steel parts include: ice bin exterior sides, back, and bottom
- 20 gauge stainless steel parts include: all components unless otherwise noted
- 18 gauge stainless steel parts include: glasswasher floor and tank, dry waste receptacle
- 16 gauge stainless steel parts include: leg mounting brackets and legs, kick rail
- 11 gauge stainless steel parts include: glasswasher conveyor drive wheel
- Laminated wooden front and end panels (optional)

Underbar installation instructions: <https://www.glastender.com/support/documents/manuals/underbar-installation-instructions>

Cleaning & care instructions: <https://www.glastender.com/support/documents/manuals/general-cleaning-and-care-instructions-for-stainless-steel>

Glastender, Inc. • 5400 N Michigan Rd • Saginaw, MI • 48604-9780
989.752.4275 • 800.748.0423 • Fax 989.752.4444
www.glastender.com

Approval/Notes:

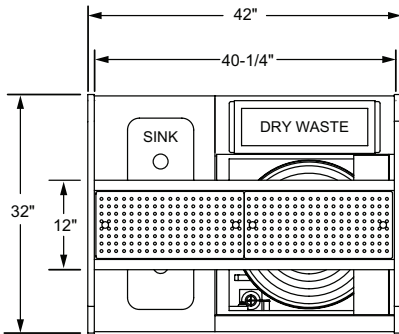
Specifications subject to change without notice. For current specifications please visit our website.

PSD - Disassembly Pass-thru Stations

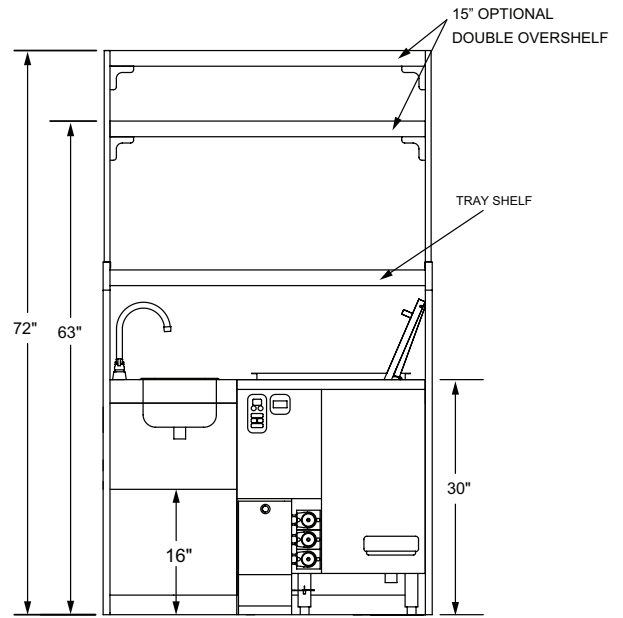
Drawings

PLAN VIEWS

PSD-42R



BARTENDER SIDE ELEVATION



PSD-42L

