

Project: _____	AIA# _____
Item #: _____ Qty: _____	SIS# _____
Model #: _____	

Low Profile Dry Storage Cabinet

LPDS	LPDS24, LPDS40, LPDS48, LPDS60, LPDS72, LPDS80, LPDS96
-------------	---



LPDS24
with stainless steel door
and top

Configurable Options

- Door Style & Finish** (*specify per door section*):
- Black vinyl-clad
 - Stainless steel
 - Jeweled stainless
 - Laminated
 - Unlaminated
- Top Style:**
- No finished top
 - Stainless top
- Left and Right Side Finish:**
- Black vinyl-clad
 - Stainless steel
- Door Hinge Location:**
- Left or Right
- Door Handle:**
- Signature
 - Pull-tab
 - Tube



Intertek
4004503
Conforms to NSF/ANSI STD 2

Standard Features

- Locking door
- Galvanized steel interior
- One adjustable, coated-wire shelf
- Eco-friendly, foamed-in-place insulated sides and door (excluding 24" sides)
- Stainless steel sub top (excluding LPDS24, which has an open top)
- Black vinyl-clad steel exterior front and sides
- LPDS24 includes 16 gauge galvanized shelves

Underbar installation instructions: <https://www.glastender.com/support/documents/manuals/underbar-installation-instructions>
 Cleaning & care instructions: <https://www.glastender.com/support/documents/manuals/general-cleaning-and-care-instructions-for-stainless-steel>

Glastender, Inc. • 5400 N Michigan Rd • Saginaw, MI • 48604-9780 989.752.4275 • 800.748.0423 • Fax 989.752.4444 www.glastender.com	Approval/Notes:
<small>Specifications subject to change without notice. For current specifications please visit our website.</small>	

Low Profile Dry Storage Cabinet

Specifications

		LPDS24	LPDS40	LPDS48	LPDS60	LPDS72	LPDS80	LPDS96
Dimensions	Length	24"	40"	48"	60"	72"	80"	96"
	Number of Sections	1	2	2	3	3	4	4
	Door Opening	21"	16"	20"	16"	20"	16"	20"
Weight Bearing Capacity		Countertops and other accessories should not exceed 500 pounds per door						

Materials

- Stainless steel parts include: exterior sub-top (LPDS24 excluded), interior, front of cabinet, hinges, hinge and lock brackets, and optional legs
- Black vinyl-clad steel parts include: standard sides, doors and compressor cover
- Galvanized steel parts: interior

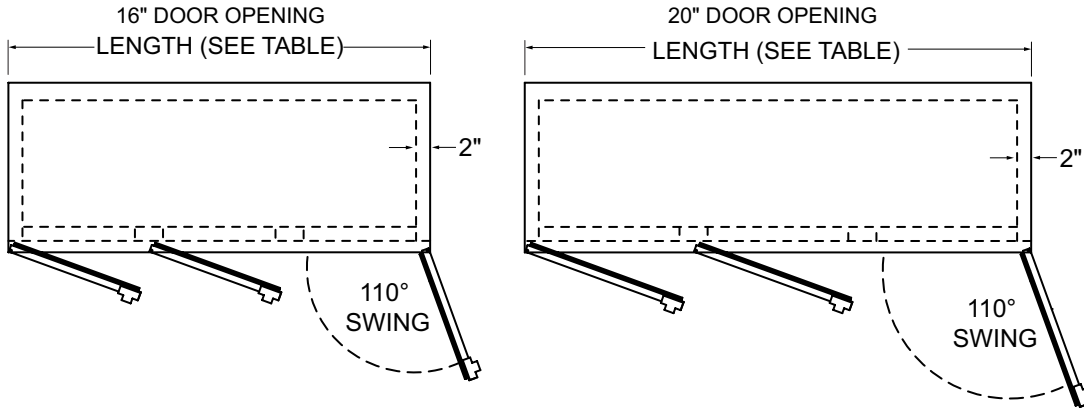


5400 N Michigan Rd • Saginaw, MI • 48604-9780
989.752.4275 • 800.748.0423 • Fax 989.752.4444
www.glastender.com

Low Profile Dry Storage Cabinet

Drawings

PLAN VIEW

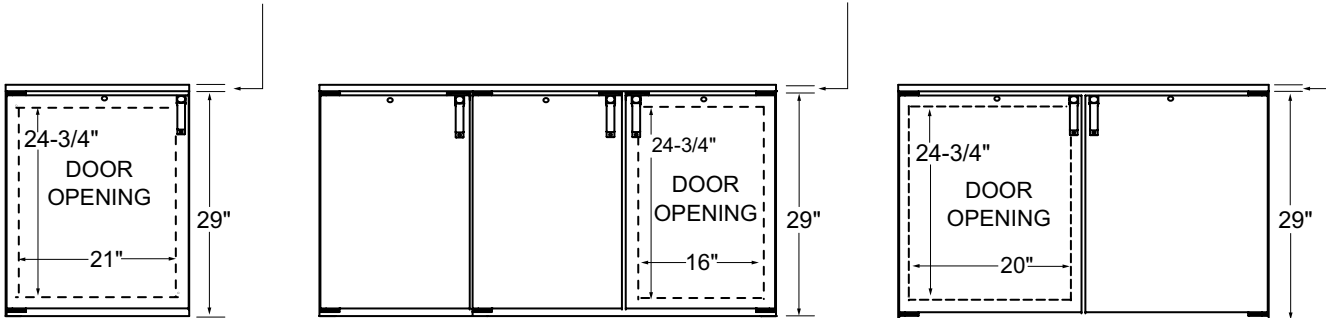


FRONT VIEW

ADD 1" TO HEIGHT FOR FACTORY INSTALLED TOP

ADD 1" TO HEIGHT FOR FACTORY INSTALLED TOP

ADD 1" TO HEIGHT FOR FACTORY INSTALLED TOP

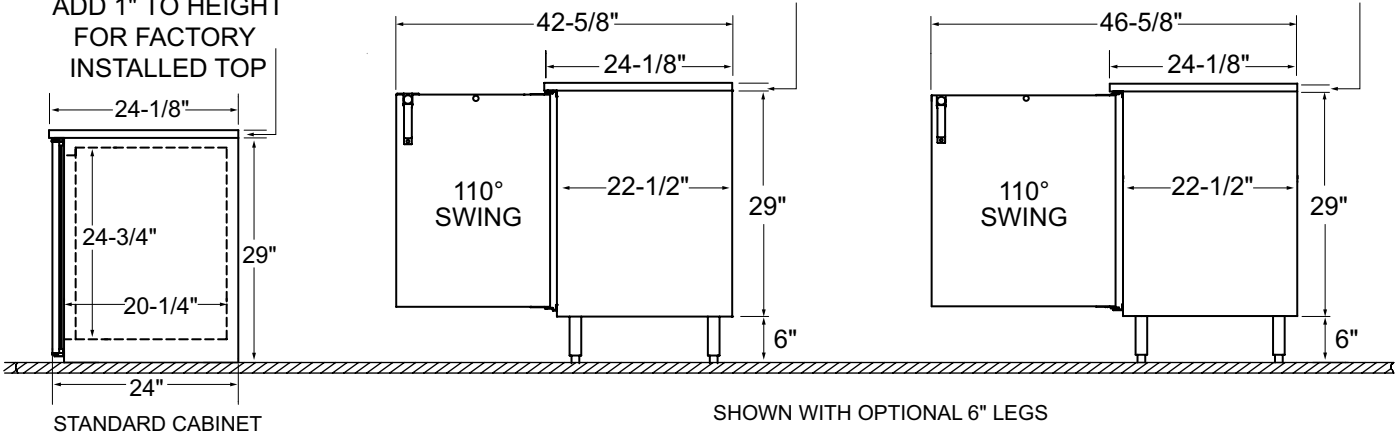


SIDE VIEWS

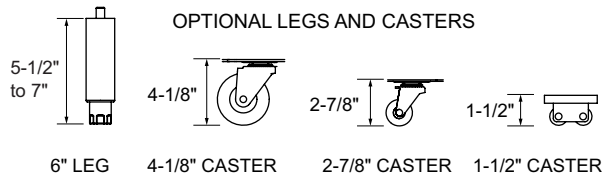
ADD 1" TO HEIGHT FOR FACTORY INSTALLED TOP

ADD 1" TO HEIGHT FOR FACTORY INSTALLED TOP

ADD 1" TO HEIGHT FOR FACTORY INSTALLED TOP



OPTIONAL LEGS AND CASTERS



5400 N Michigan Rd • Saginaw, MI • 48604-9780
 989.752.4275 • 800.748.0423 • Fax 989.752.4444
 www.glastender.com

Printed in USA