

Project: _____	AIA# _____
Item #: _____ Qty: _____	SIS# _____
Model #: _____	

## Line Chiller Racks

<b>LCR</b>	LCR-G
------------	-------

### Standard Features

- Laser cut mounting holes to fit Glastender line chiller models
- Line chiller rack fits all models of Glastender line chillers

### Specifications

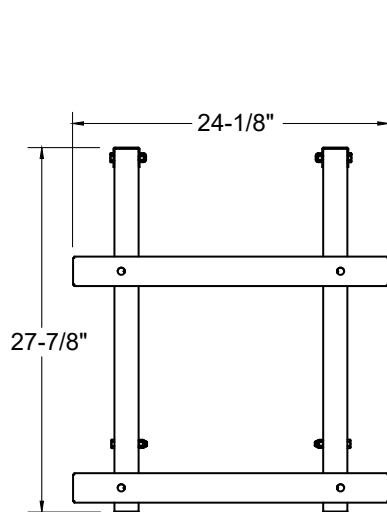
- All 16 gauge galvanized steel



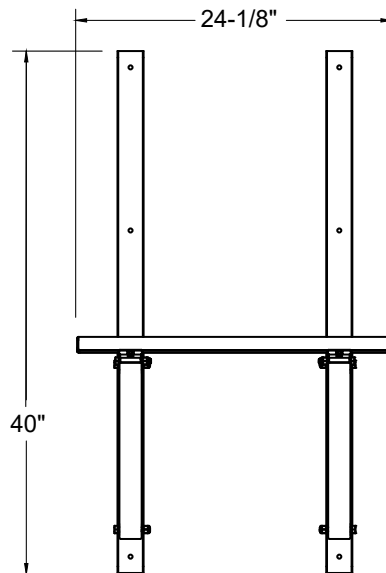
LCR-G

Cleaning & care instructions: <https://www.glastender.com/support/documents/manuals/general-cleaning-and-care-instructions-for-stainless-steel>

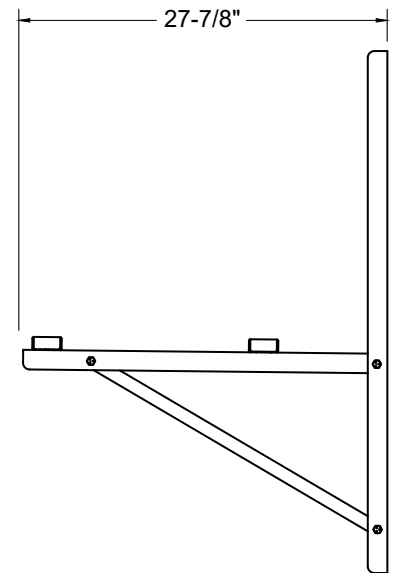
### Dimensional Information



PLAN VIEW



FRONT ELEVATION



SIDE ELEVATION

<p><b>Glastender, Inc.</b> • 5400 North Michigan Road • Saginaw, MI • 48604-9780          989.752.4275 • 800.748.0423 • Fax 989.752.4444  <a href="http://www.glastender.com">www.glastender.com</a></p>	<p>Approval/Notes:</p>
<p><small>Specifications subject to change without notice. For current specifications please visit our website.</small></p>	