

|                          |            |
|--------------------------|------------|
| Project: _____           | AIA# _____ |
| Item #: _____ Qty: _____ | SIS# _____ |
| Model #: _____           |            |

## Glassracks

GRA-18, GRA-24, GRB-18, or GRB-24



GRB-24



**Intertek**  
 4004503  
 Conforms to ANSI/NSF STD 2

### Standard Features

- Stainless steel construction
- Adjustable stainless steel bullet feet
- Pilasters and clips provided
- Full bottom floor with drain
- Two adjustable glass rack slides
- Storage for three (3) glassracks

| <i>Specifications</i> | <i>Product Information</i> |
|-----------------------|----------------------------|
|-----------------------|----------------------------|

*Drain*

- 1-1/2" I.P.S. Threaded drain will fit Dearborn part #8033 slipnut and part #W-573P washer.

*Legs*

- 1-5/8" diameter, 16 gauge stainless steel
- Stainless steel bullet feet

*Materials*

- 20 gauge stainless steel parts include: all components unless otherwise noted
- 18 gauge stainless steel parts include: leg pads
- 14 gauge stainless steel parts include: sides and glass rack slides

Glassracks are designed to hold three racks of glassware; one on the bottom floor and one on each of the two adjustable glass rack slides. The 24" wide models hold 20" by 20" racks and the 18" wide models hold the 16" round racks used with the Glastender GT-18 glasswashers.

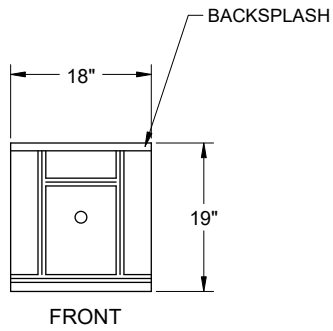
See spec page GT-18 Access for special glassracks for GT-18 glasswashers.

Underbar installation instructions: <https://www.glastender.com/support/documents/manuals/underbar-installation-instructions>  
 Cleaning & care instructions: <https://www.glastender.com/support/documents/manuals/general-cleaning-and-care-instructions-for-stainless-steel>

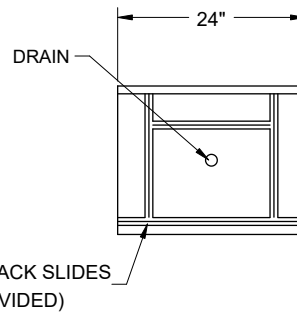
|  |                        |
|--|------------------------|
| <p><b>Glastender, Inc.</b> • 5400 N Michigan Rd • Saginaw, MI • 48604-9780<br/>         989.752.4275 • 800.748.0423 • Fax 989.752.4444<br/> <a href="http://www.glastender.com">www.glastender.com</a></p> | <p>Approval/Notes:</p> |
| <p style="font-size: small;">Specifications subject to change without notice. For current specifications please visit our website.</p>   |                        |

# Glassracks

## Dimensional Information

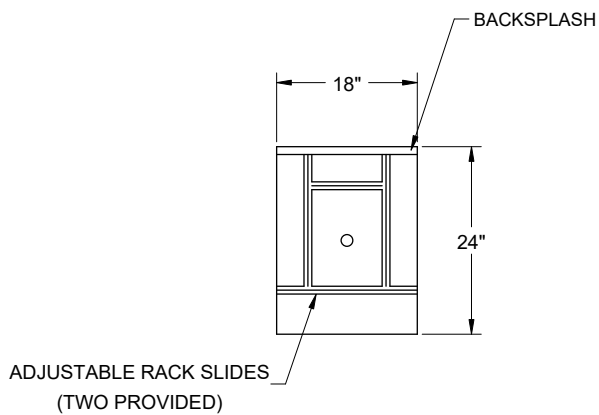


GRA-18

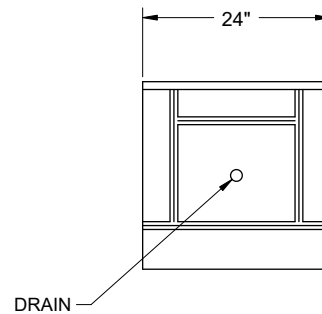


GRA-24

### PLAN VIEWS

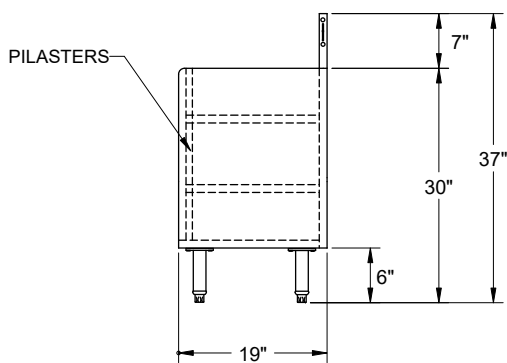


GRB-18

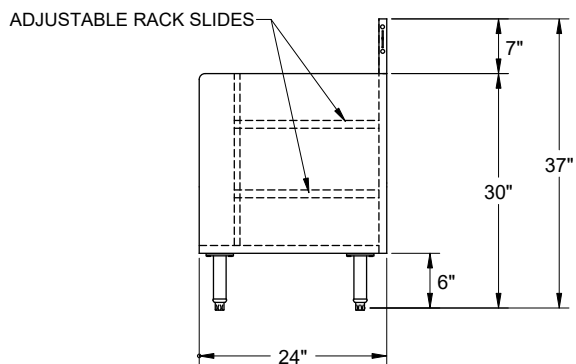


GRB-24

### PLAN VIEWS



"A" DEPTH



"B" DEPTH

### SIDE ELEVATIONS