

Project: _____	AIA# _____
Item #: _____ Qty: _____	SIS# _____
Model #: _____	

Deck Mount Faucet

03010099

(Body only - spout ordered separately)



Deck mount faucet shown with gooseneck spout

Standard Features

- 1/4 turn ceramic cartridge valve
- Heavy-duty solid brass spout with double O-ring seal
- High precision machining and polished nickel chromium finish
- Color-coded handles
- Optional wrist blade handles available (specify accessory part number 03000511)
- Mounting kit included
- NSF/ANSI 61 listed drinking water component and NSF/ANSI 372 listed for low lead compliance



C US

Certified to
ASME A112.18.1 / CSA B125.1



Specifications

- 4" on center deck mount with 1/2" NPSM male inlets
- Rough in: Two 7/8" round holes on 4" centers
- Temperature range: 40°F to 140°F
- Flow rate: 2 GPM max. Optional water conserving aerators available. Specify accessory part number as follows:
 - 03014737 - Aerator, 0.2 GPM
 - 03014738 - Aerator, 0.5 GPM
 - 03014739 - Aerator, 1.5 GPM
- Pressure: 125 PSI max
- Shipping weight: 3 lbs.

Replacement Part Numbers

03010099 - Faucet body only, deck mount, low lead compliant

Replacement Spouts

- 03000466 - 3-1/2" gooseneck
- 03000467 - 6-1/4" gooseneck
- 03000469 - 12" swing
- 03000470 - 18" double joint

Deck mount body and spout assemblies

- 03000457 - deck faucet w/ 3-1/2" gooseneck
- 03000458 - deck faucet w/6-1/4" gooseneck
- 03000460 - deck faucet w/12" swing
- 03000461 - deck faucet w/18" double joint

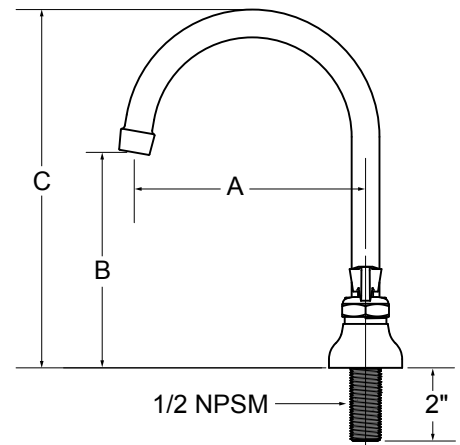
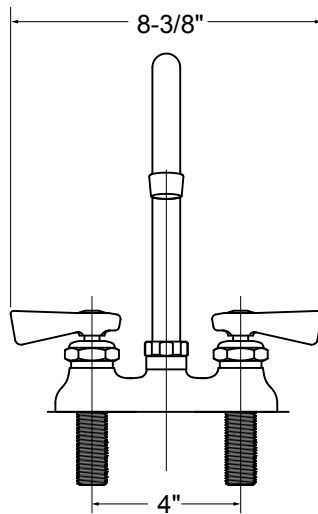
<p>Glastender, Inc. • 5400 North Michigan Road • Saginaw, MI • 48604-9780 989.752.4275 • 800.748.0423 • Fax 989.752.4444 www.glastender.com</p>	<p>Approval/Notes:</p>
Specifications subject to change without notice. For current specifications please visit our website.	

Deck Mount Faucet

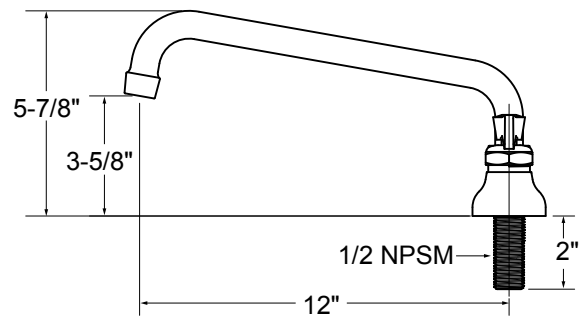
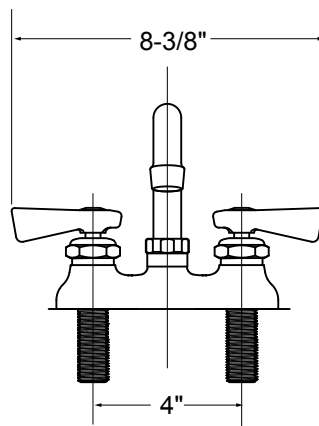
Dimensional Information

Deck with Gooseneck

Spout	A	B	C
Small	3-1/2"	5-7/8"	8-3/8"
Large	6-1/4"	5-3/4"	9-5/8"



Deck with Swing



Deck with Double Joint

