



F1SL24  
 stainless steel door, and  
 stainless steel top



Capable of storing  
 specialty cocktail ice



**Intertek**  
 EP 5016978  
 Energy Performance  
 Verified / Rendement  
 Énergétique Vérifié



**Intertek**  
 4004503  
 Conforms to NSF/ANSI STD 7  
 and UL STD 471  
 Certified to CSA STD C22.2 No. 120



Intended for indoor use.

### Standard Features

- Self-contained
- Stainless steel interior
- Locking door(s)
- LED interior lighting
- Two defrost cycles
- Automatic condensate evaporator
- Heated cabinet front to minimize condensation
- Three adjustable, coated-wire shelves

|                          |            |
|--------------------------|------------|
| Project: _____           | AIA# _____ |
| Item #: _____ Qty: _____ | SIS# _____ |
| Model #: _____           |            |

## Frosters, One Zone, Side Serviced, Low Profile

|             |  |
|-------------|--|
| <b>F1SL</b> | F1SL24, F1SL28, F1SL36, F1SL44, F1SL48 |
|-------------|--|

**CONFIGURATION HIGHLIGHTS**

|   |   |
|---|---|
| <br><b>DOORS<br/>                 IN NINE<br/>                 FINISHES</b> | <br><b>DRAWERS<br/>                 IN FIVE<br/>                 FINISHES</b> |
|---|---|

### Configurable Options

**Refrigeration Compartment Location:**

- Left or Right

**Refrigeration Compartment Cover Finish:**

- Black vinyl-clad
- Stainless steel
- Jeweled stainless

**Door Style & Finish (specify per door section):**

- Black vinyl-clad
- Stainless steel
- Jeweled stainless
- Laminated
- Unlaminated
- Glass, black vinyl-clad
- Glass, stainless steel
- Glass, jeweled stainless
- Glass, laminated

**Drawer Style & Finish:**

- Black vinyl-clad
- Stainless steel
- Jeweled stainless
- Laminated
- Unlaminated

**Door Hinge Location**

- Left or Right

**Door Handle:**

- Signature (drawers excluded)
- Pull-tab
- Tube

**Top Style:**

- No finished top
- Stainless top
- Drainboard top

**Left and Right Side Finish:**

- Black vinyl-clad
- Stainless steel

**Back Finish:**

- Galvanized steel
- Stainless steel

**LED Lighting Style:**

- Bright white (7,000k)
- Warm white (3,500k)
- Amber (2,700k)
- Blue

|   |                 |
|---|-----------------|
| <b>Glastender, Inc.</b> • 5400 N Michigan Rd • Saginaw, MI • 48604-9780<br>989.752.4275 • 800.748.0423 • Fax 989.752.4444<br><a href="http://www.glastender.com">www.glastender.com</a> | Approval/Notes: |
| Specifications subject to change without notice. For current specifications please visit our website.   |                 |

# Frosters - One Zone, Side Serviced, Low Profile

## Specifications

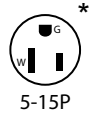
|                         |                    | F1SL24   | F1SL28 | F1SL36 | F1SL44 | F1SL48 |
|-------------------------|--------------------|--|--------|--------|--------|--------|
| Dimensions              | Length             | 24"  | 28"    | 36"    | 44"    | 48"    |
|                         | Number of Sections | 1  | 1      | 2      | 2      | 2      |
|                         | Door Opening       | 17.5"  | 20"    | 12"    | 16"    | 18"    |
| Electrical              | Electrical Supply  | 120V, 1 phase, 60 Hz, dedicated 15A circuit required                                       |        |        |        |        |
|                         | Full Load Amps     | 5.0  |        |        |        |        |
|                         | Plug Type          | 8 foot NEMA 5-15P grounded cord and plug which exits the back of refrigeration compartment |        |        |        |        |
| Refrigeration           | Refrigerant        | R290 refrigerant - 130 grams, 4.59 oz, 0.29 pounds   |        |        |        |        |
|                         | Compressor         | Reciprocating, 1/3 HP, 1300 BTUH, 0.11 Tons  |        |        |        |        |
|                         | Heat Rejection     | 2048 BTUH  |        |        |        |        |
| Operating Range         |                    | 12°F to 20°F (-11°C to -7°C)   |        |        |        |        |
| Plumbing                |                    | Automatic condensate evaporator. No drain connection required †                            |        |        |        |        |
| Weight Bearing Capacity |                    | Countertops and other accessories should not exceed 500 pounds per door                    |        |        |        |        |

### Materials

- Stainless steel parts include: exterior sub-top, interior, front of cabinet, hinges, hinge and lock brackets, and optional legs
- Black vinyl-clad steel parts include: standard sides, doors and compressor cover
- Galvanized steel parts include: back and bottom

### Refrigeration

- Fin & tube evaporator with forced air circulation
- Equipped with manual fast freeze mode that accelerates the freezing process and automatically reverts back to the normal operating mode



† Building conditions outside the guidelines of ASHRAE 55 and ASHRE 62.1 may need to be plumbed to a drain.

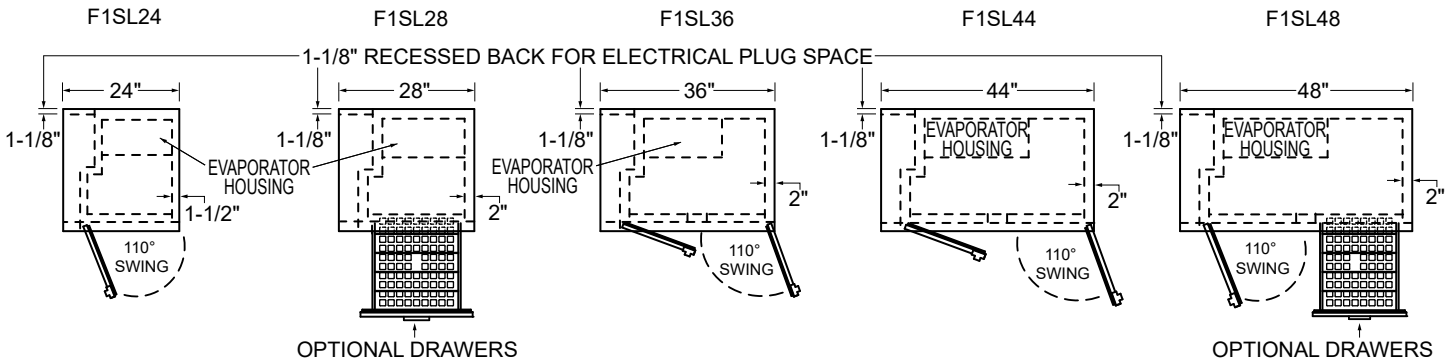
## Capacities

|                      | F1SL24 | F1SL28 | F1SL36 | F1SL44 | F1SL48 |
|----------------------|--------|--------|--------|--------|--------|
| 10 oz. Mugs          | 101    | 123    | 171    | 231    | 261    |
| 6" High Pint Glasses | 72     | 75     | 115    | 151    | 169    |

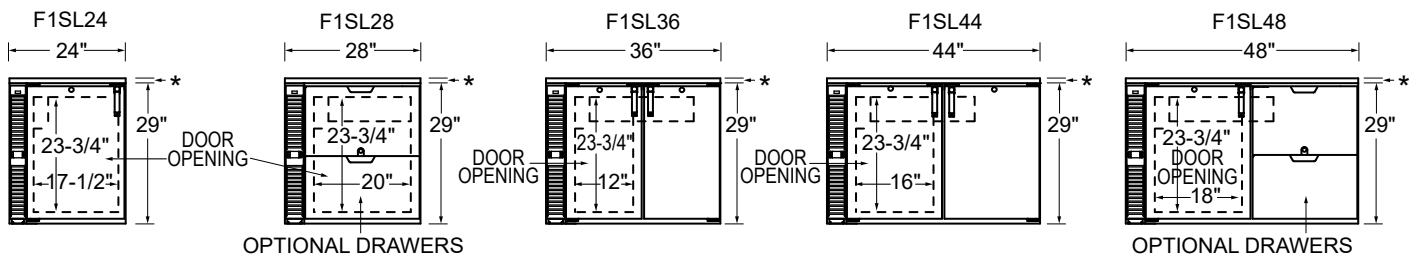
# Frosters - One Zone, Side Serviced, Low Profile

## Drawings

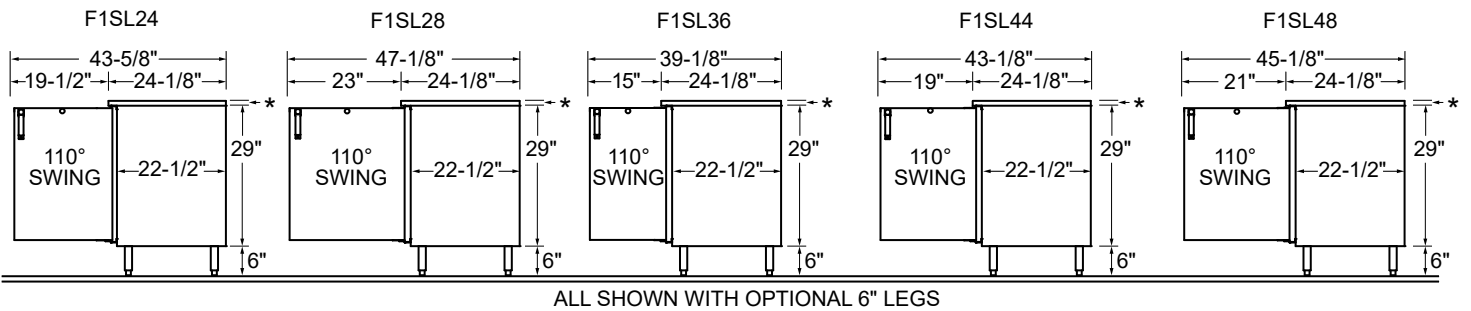
### PLAN VIEWS



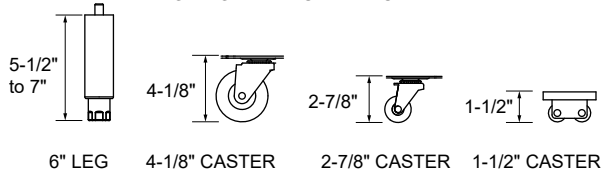
### FRONT VIEWS \* ADD 1" HEIGHT TO TOP FOR FACTORY INSTALLED TOP



### SIDE VIEWS \*ADD 1" HEIGHT TO TOP FOR FACTORY INSTALLED TOP



### OPTIONAL LEGS AND CASTERS



### SIDE VIEWS

