



F1FB36 with stainless door and top



**Intertek Intertek**

4004503

Conforms to NSF/ANSI STD 7 and UL STD 471

Certified to CSA STD C22.2 No. 120

Intended for indoor use.



Capable of storing specialty cocktail ice

## Standard Features

- Self-contained
- Stainless steel interior
- Locking door(s)
- LED interior lighting
- Two defrost cycles
- Automatic condensate evaporator
- Heated cabinet front to minimize condensation
- Three adjustable, coated-wire shelves

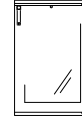
|                          |            |
|--------------------------|------------|
| Project: _____           | AIA# _____ |
| Item #: _____ Qty: _____ | SIS# _____ |
| Model #: _____           |            |

## Frosters, One Zone, Front Serviced, Bar Profile

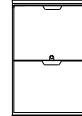
**F1FB**

F1FB32, F1FB36

### CONFIGURATION HIGHLIGHTS



**DOORS  
IN NINE  
FINISHES**



**DRAWERS  
IN FIVE  
FINISHES**

## Configurable Options

### Refrigeration Compartment

#### Location:

- Left or Right

### Refrigeration Compartment

#### Cover Finish:

- Black vinyl-clad
- Stainless steel
- Jeweled stainless
- Laminated
- Unlaminated

### Door Style & Finish:

- Black vinyl-clad
- Stainless steel
- Jeweled stainless
- Laminated
- Unlaminated
- Glass, black vinyl-clad
- Glass, stainless steel
- Glass, jeweled stainless
- Glass, laminated

### Drawer Style & Finish:

- Black vinyl-clad
- Stainless steel
- Jeweled stainless
- Laminated
- Unlaminated

### Door Hinge Location

- Left or Right

### Door Handle:

- Signature (drawers excluded)
- Pull-tab
- Tube

### Top Style:

- No finished top
- Stainless top

### Left and Right Side Finish:

- Black vinyl-clad
- Stainless steel

### Back Finish:

- Galvanized steel
- Stainless steel

### LED Lighting Style:

- Bright white (7,000k)
- Warm white (3,500k)
- Amber (2,700k)
- Blue

Glastender, Inc. • 5400 N Michigan Rd • Saginaw, MI • 48604-9780  
 989.752.4275 • 800.748.0423 • Fax 989.752.4444  
[www.glastender.com](http://www.glastender.com)

Approval/Notes:

Specifications subject to change without notice. For current specifications please visit our website.

# Frosters - One Zone, Front Serviced, Bar Profile

## Specifications

|                         |                    | F1FB32   | F1FB36 |
|-------------------------|--------------------|--|--------|
| Dimensions              | Length             | 32"  | 36"    |
|                         | Number of Sections | 1  | 1      |
|                         | Door Opening       | 16"  | 20"    |
| Electrical              | Electrical Supply  | 120V, 1 phase, 60 Hz, dedicated 15A circuit required                                       |        |
|                         | Full Load Amps     | 6.5  |        |
|                         | Plug Type          | 8 foot NEMA 5-15P grounded cord and plug which exits the back of refrigeration compartment |        |
| Refrigeration           | Refrigerant        | R290 refrigerant - 130 grams, 4.59 oz, 0.29 pounds   |        |
|                         | Compressor         | Reciprocating, 1/3 HP, 1300 BTUH, 0.11 Tons  |        |
|                         | Heat Rejection     | 2660 BTUH  |        |
| Operating Range         |                    | 12°F to 20°F (-11°C to -7°C)   |        |
| Plumbing                |                    | Automatic condensate evaporator. No drain connection required †                            |        |
| Weight Bearing Capacity |                    | Countertops and other accessories should not exceed 500 pounds per door                    |        |

### Materials

- Stainless steel parts include: exterior sub-top, interior, front of cabinet, hinges, hinge and lock brackets, and optional legs
- Black vinyl-clad steel parts include: standard sides, doors and compressor cover
- Galvanized steel parts include: back and bottom

### Refrigeration

- Fin & tube evaporator with forced air circulation
- Equipped with manual fast freeze mode that accelerates the freezing process and automatically reverts back to the normal operating mode



† Building conditions outside the guidelines of ASHRAE 55 and ASHRE 62.1 may need to be plumbed to a drain.

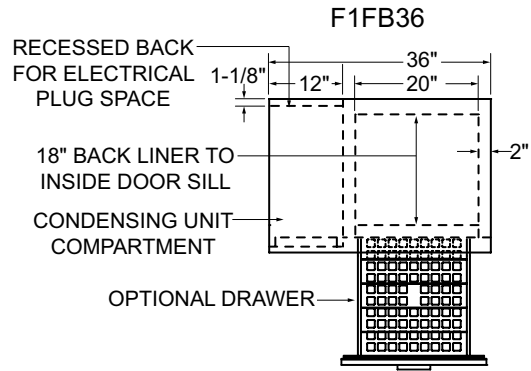
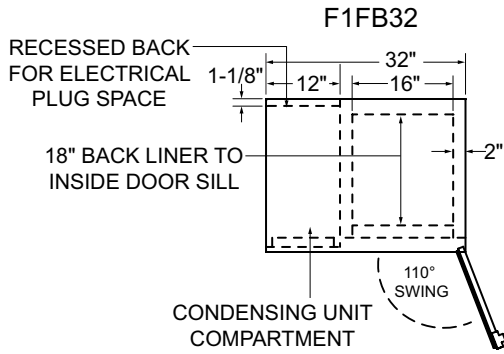
## Capacities

|                      | F1FB32 | F1FB36 |
|----------------------|--------|--------|
| 10 oz. Mugs          | 120    | 168    |
| 6" High Pint Glasses | 96     | 120    |

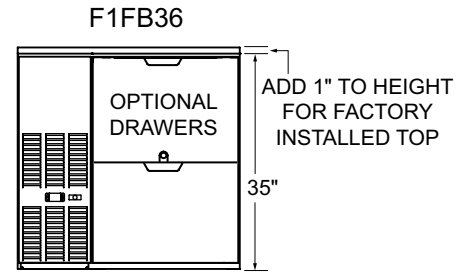
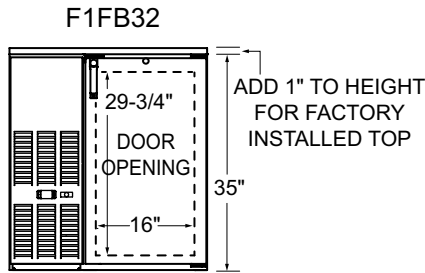
# Frosters - One Zone, Front Serviced, Bar Profile

## Drawings

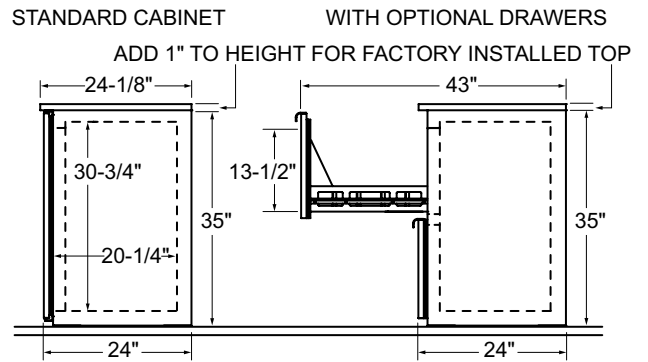
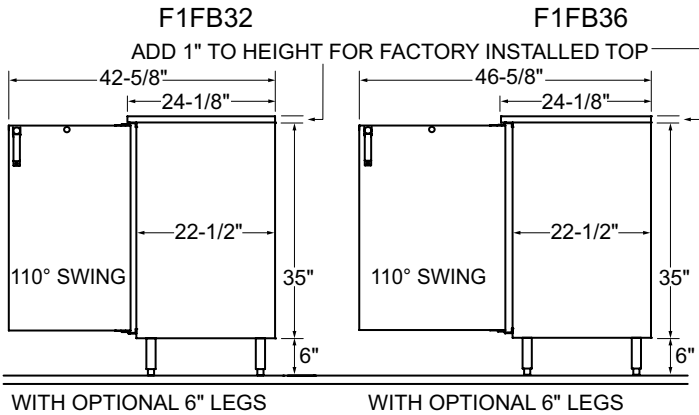
### PLAN VIEWS



### FRONT VIEWS



### SIDE VIEWS



### OPTIONAL LEGS AND CASTERS

