

ELEVATION

BY GLASTENDER

Project: _____	AIA# _____
Item #: _____ Qty: _____	SIS# _____
Model #: _____	



E-TS-60



Intertek
4004503
Conforms to ANSI/NSF STD 2

Three Compartment Sink

E-TS-60

Standard Features

- All stainless steel construction & stainless steel bullet feet
- 18 gauge stainless steel one-piece seamless top, front rail and backsplash featuring 1/4" radius corners for easy cleaning
- 16 gauge stainless steel fabricated sink bowls
- 11" by 14" by 10-1/4" deep sink bowl with hot and cold water faucet
- Faucets are standard and ship mounted
- Extra wide sink bowl easily accommodates brush washer
- Models have lift-out stainless steel perforated insert for better air circulation
- Perforated stainless steel inserts are available to cover sinks when not in use
- One over-flow tube per sink bowl included
- 30" work height

Product Information

Three Compartment Sinks feature an exclusive one-piece 18 gauge stainless steel top that is seamless from the front rail all the way through the backsplash. Drainboards, where included, are a seamless and integral part of the work surface. The seamless welded bowls are 16 gauge fabricated stainless steel.

Specifications

Drains

- 1-1/2" I.P.S. Threaded drain will fit Dearborn part #8033 slipnut and part #W-573P washer.

Faucet

- Deck mounted on 4" centers, accepts 3/8" sink leads, hot and cold water connections required

Sink Bowl Dimensions

- 11" by 14" by 10-1/4" deep

Legs

- 1-5/8" diameter 16 gauge stainless steel
- Stainless steel bullet feet

Materials

- 20 gauge stainless steel parts include: all components unless otherwise noted
- 18 gauge stainless steel parts include: one-piece top, front rail and back splash
- 16 gauge stainless steel parts include: sink bowls

Underbar installation instructions: <https://www.glastender.com/support/documents/manuals/underbar-installation-instructions>

Cleaning & care instructions: <https://www.glastender.com/support/documents/manuals/general-cleaning-and-care-instructions-for-stainless-steel>

Glastender, Inc. • 5400 N Michigan Rd • Saginaw, MI • 48604-9780
989.752.4275 • 800.748.0423 • Fax 989.752.4444
www.glastender.com

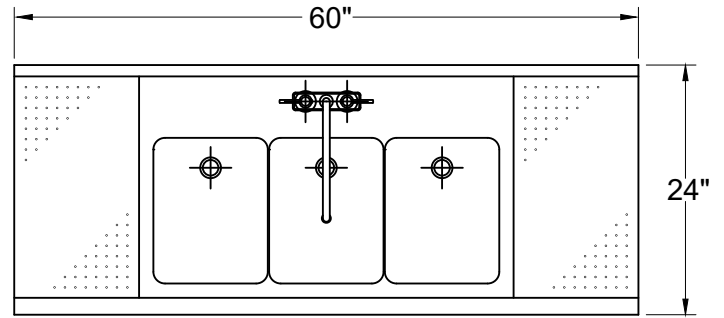
Approval/Notes:

Specifications subject to change without notice. For current specifications please visit our website.

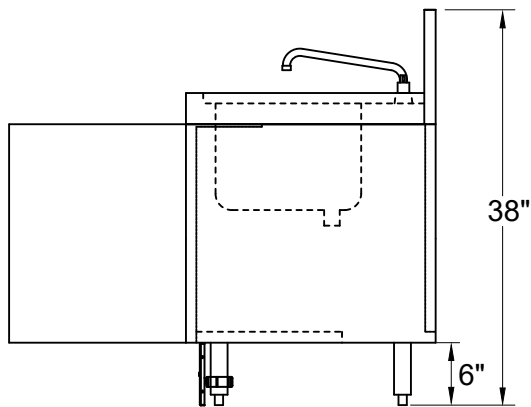
Elevation Three Compartment Sink

Dimensional Information

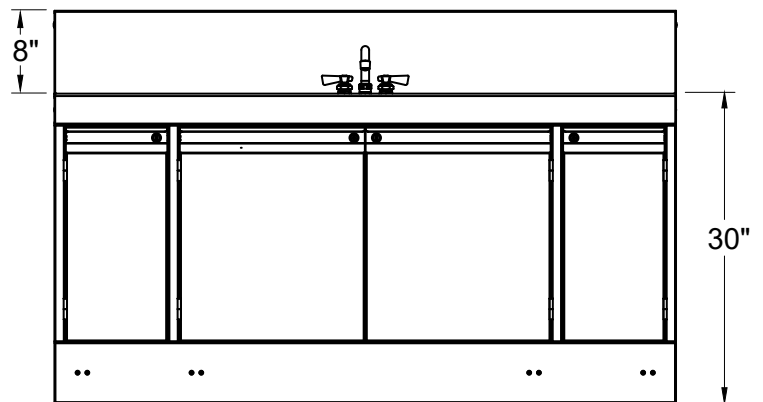
E-TS-60



PLAN VIEW



SIDE ELEVATION



FRONT ELEVATION