

# ELEVATION

BY GLASTENDER

Project: _____	AIA# _____
Item #: _____ Qty: _____	SIS# _____
Model #: _____	

## POS Stations

**E-PC**

E-PC-18, E-PC-24



E-PC-18

### Standard Features

- All stainless steel construction with adjustable bullet feet
- One-piece, seamless top and backsplash
- Louvered door features integral handle
- Door lock standard
- Grommeted cord access hole in work surface
- Large access hole in back wall of unit
- Smooth interior walls for easy cleaning and a finished appearance

### Configurable Options

- With or without cash drawer enclosure

### Specifications

#### Legs

- 1-5/8" diameter, 16 gauge stainless steel
- Stainless steel bullet feet

#### Materials

- 20 gauge stainless steel parts include: all components unless otherwise noted
- 18 gauge stainless steel parts include: leg pads



**Intertek**

4004503

Conforms to ANSI/NSF STD 2

Underbar installation instructions: <https://www.glastender.com/support/documents/manuals/underbar-installation-instructions>

Cleaning & care instructions: <https://www.glastender.com/support/documents/manuals/general-cleaning-and-care-instructions-for-stainless-steel>

**Glastender, Inc.** • 5400 N Michigan Rd • Saginaw, MI • 48604-9780  
 989.752.4275 • 800.748.0423 • Fax 989.752.4444  
[www.glastender.com](http://www.glastender.com)

Approval/Notes:

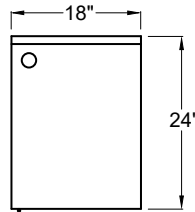
Specifications subject to change without notice. For current specifications please visit our website.

# Elevation POS Stations

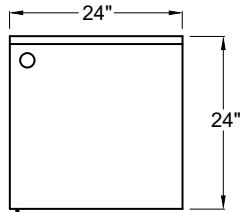
## Dimensional Information

**E-PC**  
With cash drawer enclosure

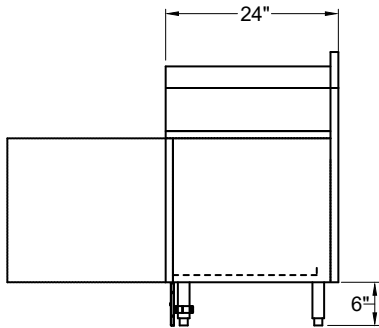
**E-PC-18**



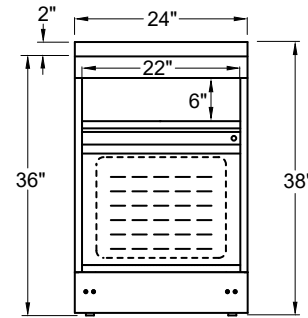
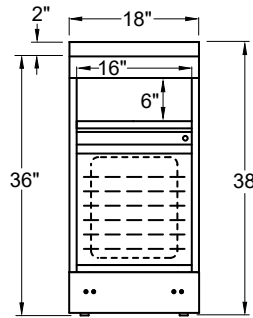
**E-PC-24**



PLAN VIEWS



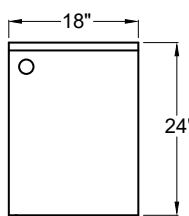
SIDE ELEVATION



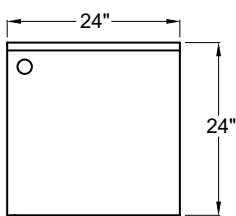
FRONT ELEVATIONS

**E-PC**  
Without cash drawer enclosure

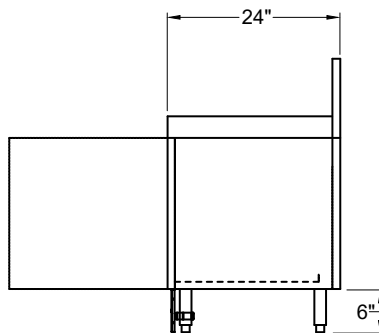
**E-PC-18**



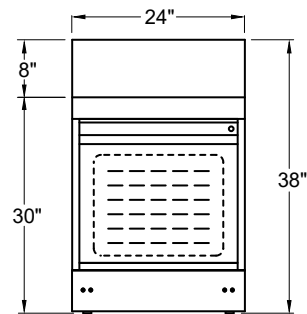
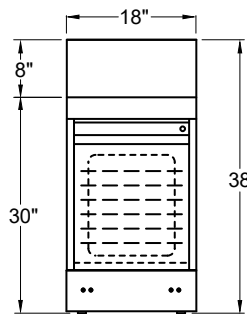
**E-PC-24**



PLAN VIEWS



SIDE ELEVATION



FRONT ELEVATIONS

