

ELEVATION

BY GLASTENDER



E-IB-24



Project: _____	AIA# _____
Item #: _____ Qty: _____	SIS# _____
Model #: _____	

Ice Bin

E-IB	E-IB-12, E-IB-18, E-IB-24, E-IB-24-CP10, E-IB-30, E-IB-30-CP10, E-IB-36, E-IB-36-CP10
-------------	---

Standard Features

- All stainless steel construction
- One-piece, seamless top and backsplash
- PVC plastic breaker strip around ice bin liner: creates 5/16" raised edge around liner, acts as thermal barrier to prevent heat transfer, and makes the cover slide easier
- Sliding stainless steel cover
- Eco friendly foamed-in-place insulation has zero impact on global warming or ozone depletion
- Adjustable stainless steel bullet feet
- Lower cabinet with locking door
- Ten circuit available with all 24" and wider models (add suffix '-CP10' to model number); includes 4" soda gun holder
- Single speed rail

Configurable Options

- 4" soda gun holder, left or right, -CP10 models only
- Locking door(s)

Specifications

Drain

- Non-cold plate model: 1-1/2" tailpiece
- Ten circuit cold plate model '-CP10': 3/4" MPT

Cover

- Two-piece sliding cover, 20 gauge stainless steel, included with all models

Cold Plate (Models with '-CP10' suffix)

- Ten circuit available with all 24" and longer models
- Connection is 5/16" O.D. stainless steel tubing with swaged end
- Soda gun holder

Liner Depth

- 10-1/2"

Ice Capacity

- 19" bin depth = 2.79 lbs X length

Legs

- 1-5/8" diameter 16 gauge stainless steel
- Stainless steel bullet feet

Materials

- 20 gauge stainless steel
- PVC plastic breaker strip around opening of ice bin liner

Underbar installation instructions: <https://www.glastender.com/support/documents/manuals/underbar-installation-instructions>

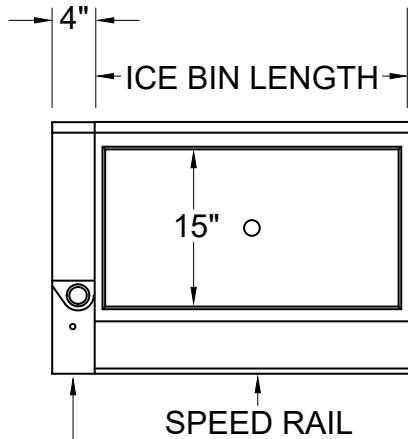
Cleaning & care instructions: <https://www.glastender.com/support/documents/manuals/general-cleaning-and-care-instructions-for-stainless-steel>

Glastender, Inc. • 5400 N Michigan Rd • Saginaw, MI • 48604-9780 989.752.4275 • 800.748.0423 • Fax 989.752.4444 www.glastender.com	Approval/Notes:
Specifications subject to change without notice. For current specifications please visit our website.	

Elevation Ice Bin

Dimensional Information

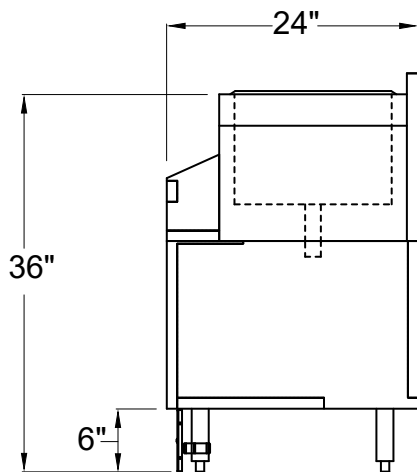
PLAN VIEW



SODA GUN HOUSING INCLUDED FOR -CP10 MODELS ONLY

Models	Ice Bin Length
E-IB-12	12"
E-IB-18	18"
E-IB-24	24"
E-IB-24-CP10	24"
E-IB-30	30"
E-IB-30-CP10	30"
E-IB-36	36"
E-IB-36-CP10	36"

SIDE ELEVATION



FRONT ELEVATION

