

ELEVATION

BY GLASTENDER

Project: _____	AIA# _____
Item #: _____ Qty: _____	SIS# _____
Model #: _____	

Hand Sinks

E-HS	E-HS-12, E-HS-14
-------------	------------------

Standard Features

- All stainless steel
- One-piece seamless top and backsplash featuring 1/4" radius corners
- Drawn sink bowl
- Heavy-duty, hot and cold water faucet
- Adjustable stainless steel bullet feet
- Includes soap dispenser and front-flush C-fold paper towel dispenser
- E-HS-14 Includes a trash receptacle

Accessories

03000483 Lift-out perforated plastic wet waste strainer



E-HS-14



Intertek

4004503
Conforms to ANSI/NSF STD 2
Certified to CSA/CAN STD B45.4

Specifications

Drain

- 1-1/2" I.P.S. threaded drain will fit Dearborn part #8033 slipnut and part #W-573P washer

Faucet

- Backsplash mounted on 4" centers, accepts 3/8" sink leads, hot and cold water connections required
- NSF/ANSI 61, 372 low lead compliant

Sink Bowl Dimensions

- 9-1/4" by 11-1/2" by 6" deep

Legs

- 1-5/8" diameter, 16 gauge stainless steel

Materials

- 20 gauge stainless steel parts include: all components unless otherwise noted

WARNING: The plastic wet waste strainer accessory can expose you to chemicals including Bisphenol A (BPA), which is known to the State of California to cause birth defects or other reproductive harm. For more information, go to www.P65Warnings.ca.gov. **Part #03000483**
Warning applies to State of California only.

Underbar installation instructions: <https://www.glastender.com/support/documents/manuals/underbar-installation-instructions>

Cleaning & care instructions: <https://www.glastender.com/support/documents/manuals/general-cleaning-and-care-instructions-for-stainless-steel>

Glastender, Inc. • 5400 N Michigan Rd • Saginaw, MI • 48604-9780
989.752.4275 • 800.748.0423 • Fax 989.752.4444
www.glastender.com

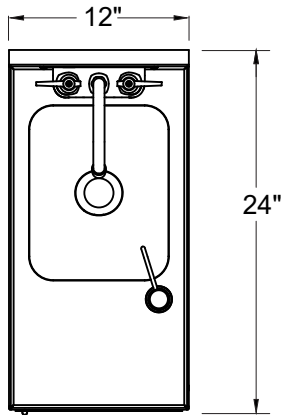
Approval/Notes:

Specifications subject to change without notice. For current specifications please visit our website.

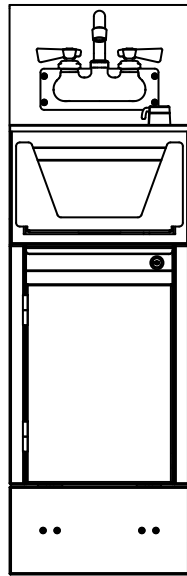
Elevation Hand Sinks

Drawings

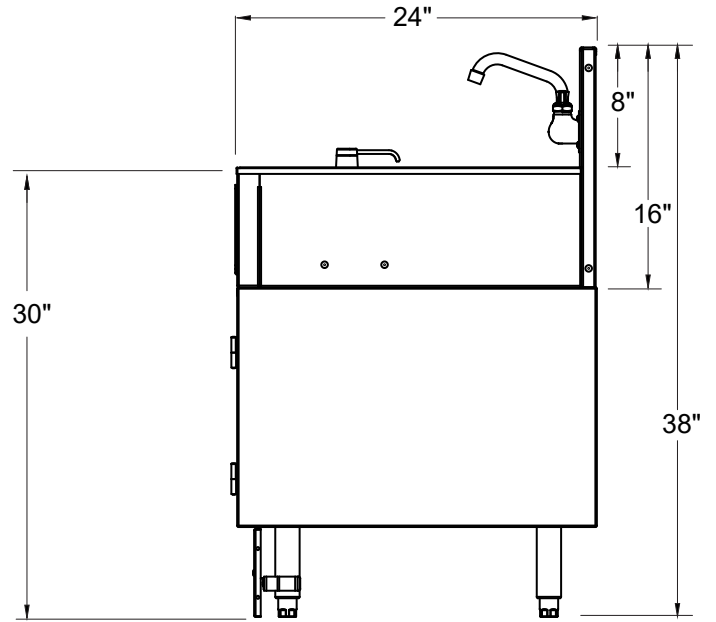
E-HS-12



PLAN VIEW

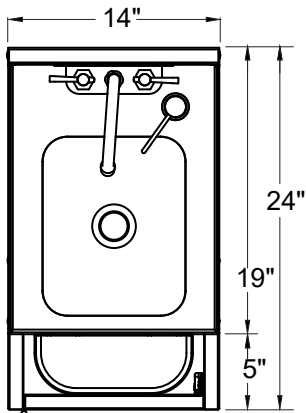


FRONT ELEVATION

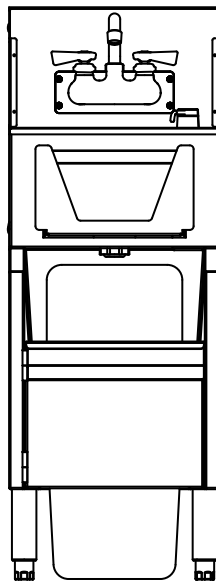


SIDE ELEVATION

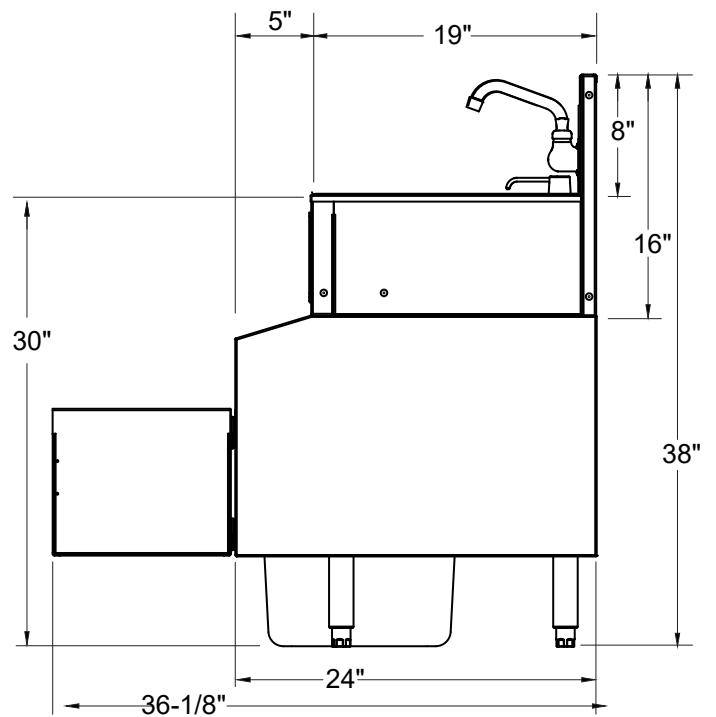
E-HS-14



PLAN VIEW



FRONT ELEVATION



SIDE ELEVATION

