

ELEVATION

BY GLASTENDER

Project: _____	AIA# _____
Item #: _____ Qty: _____	SIS# _____
Model #: _____	



E-FTR8

Fusion Tool Rinsing

E-FTR8

Standard Features

- All stainless steel
- One-piece seamless top and backsplash featuring 1/4" radius corners
- Push-down rinser faucet with 4-1/2" plunger plate, 6" diameter seamlessly welded draining dipper well and faucet
- Lift-out perforated plastic strainer for lower wet waste sink
- Adjustable stainless steel bullet feet

Specifications

Drain

- 1-1/2" I.P.S. threaded drain will fit Dearborn part #8033 slipnut and part #W-573P washer
- Only the lower wet waste sink drain is plumbed

Wet Waste Sink Dimensions

- 19-3/4" by 5-1/4" by 6" deep

Legs

- 1-5/8" diameter, 16 gauge stainless steel

Materials

- 20 gauge stainless steel parts include: all components unless otherwise noted



Intertek
4004503
Conforms to ANSI/NSF STD 2

WARNING: The plastic wet waste strainer included with this product can expose you to chemicals including Bisphenol A (BPA), which is known to the State of California to cause birth defects or other reproductive harm. For more information, go to www.P65Warnings.ca.gov. **Part #03000483**
Warning applies to State of California only.

Underbar installation instructions: <https://www.glastender.com/support/documents/manuals/underbar-installation-instructions>
Cleaning & care instructions: <https://www.glastender.com/support/documents/manuals/general-cleaning-and-care-instructions-for-stainless-steel>

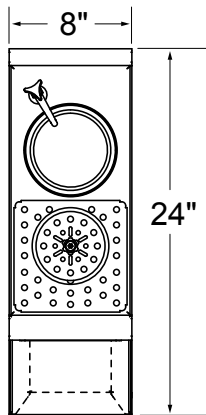
Glastender, Inc. • 5400 N Michigan Rd • Saginaw, MI • 48604-9780 989.752.4275 • 800.748.0423 • Fax 989.752.4444 www.glastender.com	Approval/Notes:
Specifications subject to change without notice. For current specifications please visit our website.	

Elevation Fusion Tool Rinsing

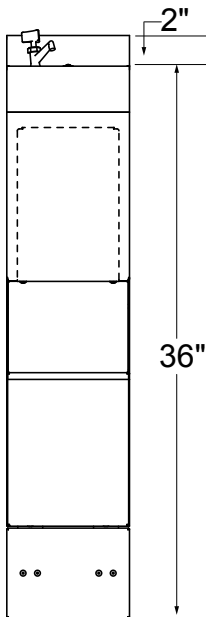
Drawings

E-FTR8

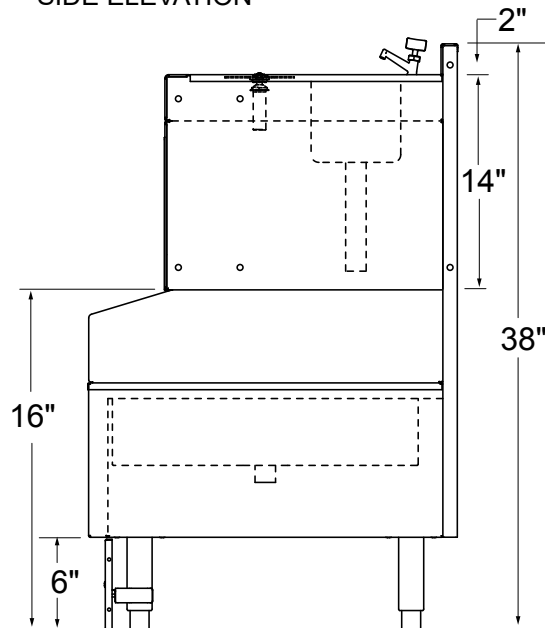
PLAN VIEW



FRONT ELEVATION



SIDE ELEVATION



Rinser Faucet Installation Notes

- Unit does not provide a 1" air gap
- Must be installed with external backflow prevention to meet applicable federal, state, and local plumbing code requirements.
- Install in-line water pressure regulator (included)
- A separate shut-off valve is recommended (not included)

03012383
Rinser Faucet
Assembly



Intertek

4004503

Conforms to NSF/ANSI STD 372

ELEVATION
BY GLASTENDER

Glastender, Inc. • 5400 North Michigan Road • Saginaw, MI • 48604-9780
989.752.4275 • 800.748.0423 • Fax 989.752.4444 • <https://glastender.com>

Printed in USA