

ELEVATION

BY GLASTENDER

Project: _____	AIA# _____
Item #: _____ Qty: _____	SIS# _____
Model #: _____	



Fusion Sink

by Glastender

Patented. For more information visit:
<https://www.glastender.com/patents>

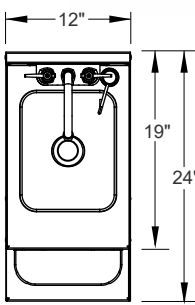
E-FS12

Standard Features

- All stainless steel
- One-piece seamless top and backsplash featuring 1/4" radius corners
- Two drawn sink bowls
- Upper hand sink that drains into lower wet waste sink
- Heavy-duty, hot and cold water faucet
- Backsplash faucet mounting bracket for easy faucet removal
- Soap dispenser and front-flush C-fold paper towel dispenser
- Lift-out perforated plastic strainer for lower wet waste sink
- Left and right side splashes
- Adjustable stainless steel bullet feet

Specifications

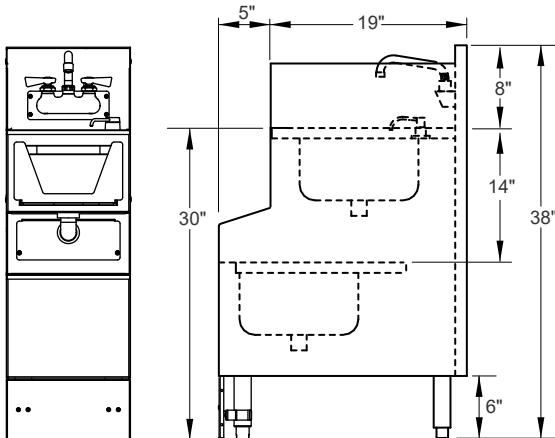
- Drain**
- 1-1/2" I.P.S. threaded drain will fit Dearborn part #8033 slipnut and part #W-573P washer
 - Only the lower wet waste sink drain is plumbed
- Faucet**
- Backsplash mounted on 4" centers, accepts 3/8" sink leads, hot and cold water connections required
 - Optional foot-operated faucet: single hole, (2) 1/2" NPT female inlets and (1) 1/2" NPT female outlet
 - NSF/ANSI 61, 372 low lead compliant
- Sink Bowl Dimensions**
- 9-1/4" by 11-1/2" by 6" deep
- Legs**
- 1-5/8" diameter, 16 gauge stainless steel
- Materials**
- 20 gauge stainless steel parts include: all components unless otherwise noted
 - 18 gauge stainless steel parts include: towel holder
 - 16 gauge stainless steel parts include: faucet bracket
 - 14 gauge stainless steel parts include: sides, and towel holder front



E-FS12



Intertek
 4004503
 Conforms to ANSI/NSF STD 2



⚠ WARNING: The plastic wet waste strainer included with this product can expose you to chemicals including Bisphenol A (BPA), which is known to the State of California to cause birth defects or other reproductive harm. For more information, go to www.P65Warnings.ca.gov.
Warning applies to State of California only. Part #03000483

Underbar installation instructions: <https://www.glastender.com/support/documents/manuals/underbar-installation-instructions>
 Cleaning & care instructions: <https://www.glastender.com/support/documents/manuals/general-cleaning-and-care-instructions-for-stainless-steel>

Glastender, Inc. • 5400 N Michigan Rd • Saginaw, MI • 48604-9780 989.752.4275 • 800.748.0423 • Fax 989.752.4444 www.glastender.com	Approval/Notes:
---	-----------------

Specifications subject to change without notice. For current specifications please visit our website.

Date: January 20, 2020

To: All Interested Parties

From: Ed Cunningham, Engineering Manager
989-752-4275 x139 or ecunningham@glastender.com

Re: The FS12 meets or exceeds NSF 2, IPC, and UPC requirements.

M E M O

Executive Summary

The Glastender FS12 Fusion Sink is a single plumbing fixture incorporating the functions of a hand wash sink and wet waste dump sink. The FS12 meets NSF 2 and International Plumbing Code (IPC) / Uniform Plumbing Code (UPC) requirements.

NSF Standard 2 Compliance

FS12 sink bowls are type 304 stainless steel with fully radiused interiors and are seamlessly welded to the work surfaces, conforming to NSF 2, 5.39.8 food zone requirements. The hand sink backsplash extends 8" above the work surface and the sink bowl is 11.6" x 9.3" x 6" deep, meeting NSF 2, 5.39.8 dimensional requirements. All other exposed surfaces are type 201 stainless steel with seams closed and sealed, meeting splash zone requirements. The distance between the outlet of the faucet spout and the flood level of the hand sink bowl is greater than 1", meeting NSF 2, 5.56.4 backflow prevention requirements. The wet waste dump sink has a readily removable strainer per NSF 2, 5.40.2. NSF 2 also requires water and waste piping and connections comply with the IPC and/or UPC.

Plumbing Code Compliance

For waste plumbing, both IPC and UPC provide two connection methods to the sanitary drainage system. The standard method is directly connected through a trap. The second method of connection is an indirect waste, which is prescribed when a higher level of protection against backflow, flooding, fouling, contamination and stoppage of the drain is required. The components of the FS12 plumbing fixture, a hand sink and wet waste dump sink, are not explicitly required to have the added protection of an indirect waste connection (reference UPC and IPC chapter 8), however, UPC 801.4 does specify that sinks in a bar area that cannot be vented shall discharge through an air gap or air break. The waste outlet of the hand sink section is above the flood level of the wet waste dump sink by greater than two times the 1-1/2" drain diameter, meeting air gap requirements. The drain of the wet waste dump sink can be connected directly through a vented trap or indirectly to a waste receptor through an air gap. Neither IPC or UPC prohibit gray water from the hand sink section from draining into, and through, the wet waste dump sink section.

[See figures on next page]

— Expect more — *more flexibility*
more features



Figure 1 - NSF zone definitions for FS12

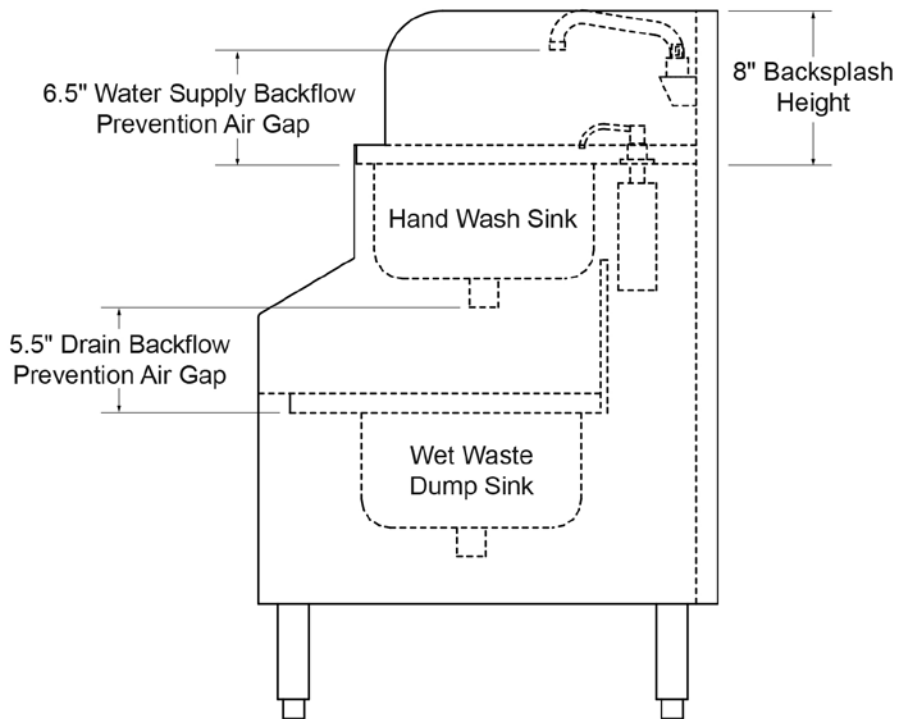


Figure 2 - FS12 side view with compliance features dimensioned

— Expect more — *more flexibility* —
more features