

ELEVATION

BY GLASTENDER

Project: _____	AIA# _____
Item #: _____ Qty: _____	SIS# _____
Model #: _____	



E-DW-14
Front Access



E-DW-14
Top Access

Dry Waste

E-DW

E-DW-14

Standard Features

- All stainless steel
- 36" high work surface
- Free standing with two leg sets and hinged access door

Configurable Options

- Front access or top access
 - Flat stainless top or drainboard top (front access only)
- Left or right door hinges

Accessories

- 03005491 28-1/2 qt trash receptacle (front access)
- 03000497 Rubbermaid Slim Jim® trash receptacle (top access)

Specifications

Legs

- 1-5/8" diameter, 16 gauge stainless steel
- Adjustable stainless steel bullet feet for total leg height of 6" to 7-1/4"

Materials

- 20 gauge stainless steel



Intertek

4004503
Conforms to ANSI/NSF STD 2
Certified to CSA/CAN STD B45.4

Underbar installation instructions: <https://www.glastender.com/support/documents/manuals/underbar-installation-instructions>
 Cleaning & care instructions: <https://www.glastender.com/support/documents/manuals/general-cleaning-and-care-instructions-for-stainless-steel>

Glastender, Inc. • 5400 N Michigan Rd • Saginaw, MI • 48604-9780
 989.752.4275 • 800.748.0423 • Fax 989.752.4444
www.glastender.com

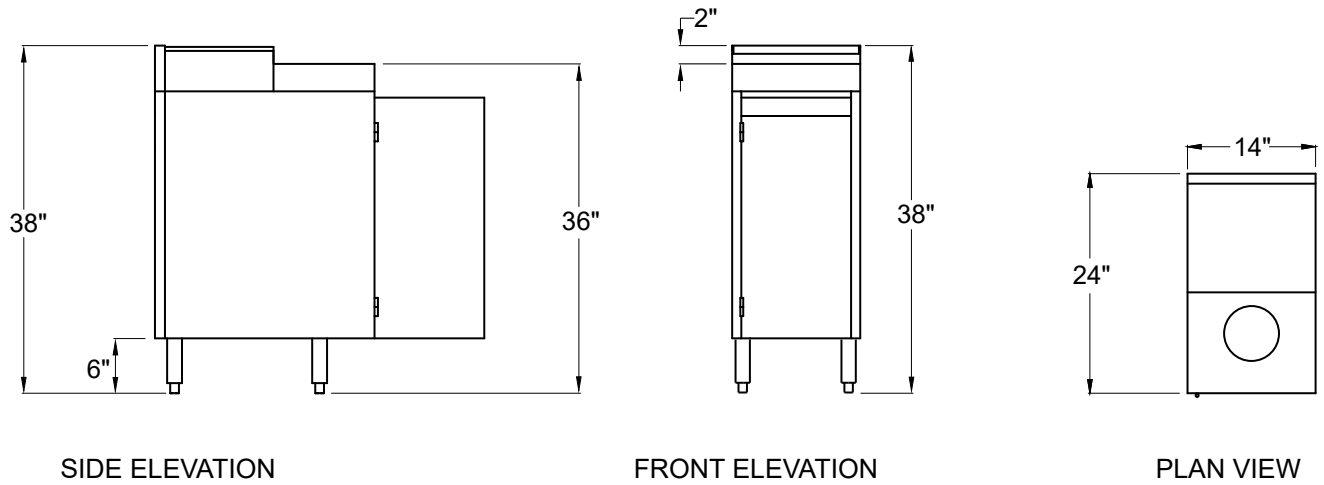
Approval/Notes:

Specifications subject to change without notice. For current specifications please visit our website.

Elevation Dry Waste

Dimensional Information

E-DW-14 Top Access



E-DW-14 Front Access

