

ELEVATION

BY GLASTENDER

Project: _____	AIA# _____
Item #: _____ Qty: _____	SIS# _____
Model #: _____	



E-CIR-24/24

Corner Inside Rectangle Drainboards

E-CIR

E-CIR-24/24, E-CIR-24/24-N,
E-CIR-24/24-LN, E-CIR-24/30L, E-CIR-24/30R

Standard Features

- All stainless steel
- Designed to mount between two adjacent pieces of Glastender underbar equipment (unless optional legs are used, see configurable options)
- Drain pan with separate perforated insert for better air circulation
- 1/4" radius work surface corners for easy cleaning

Configurable Options

- Leg set for one side mounting
- Leg set for freestanding (CIR-24/24-LN excluded)

Specifications

Drain

- 1/2" welded tailpiece drain

Materials

- 20 gauge stainless steel



Intertek

4004503

Conforms to ANSI/NSF STD 2

Underbar installation instructions: <https://www.glastender.com/support/documents/manuals/underbar-installation-instructions>

Cleaning & care instructions: <https://www.glastender.com/support/documents/manuals/general-cleaning-and-care-instructions-for-stainless-steel>

Glastender, Inc. • 5400 N Michigan Rd • Saginaw, MI • 48604-9780
989.752.4275 • 800.748.0423 • Fax 989.752.4444
www.glastender.com

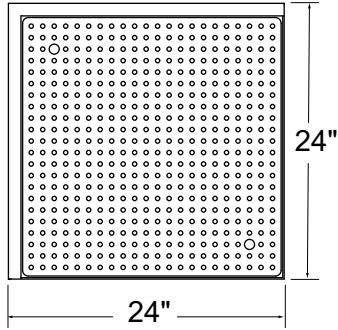
Approval/Notes:

Specifications subject to change without notice. For current specifications please visit our website.

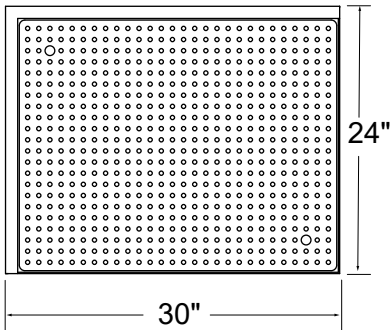
Elevation Corner Inside Rectangle Drainboards

Dimensional Information

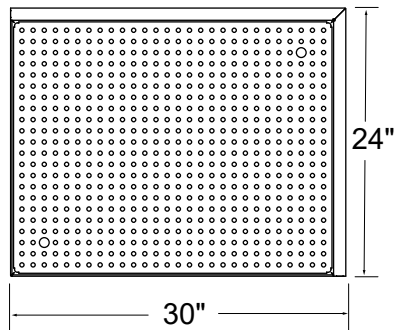
PLAN VIEWS



E-CIR-24/24



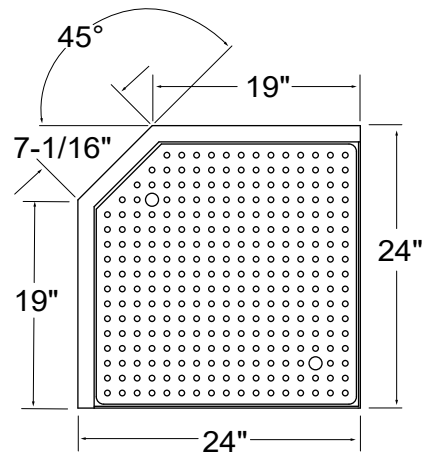
E-CIR-24/30L



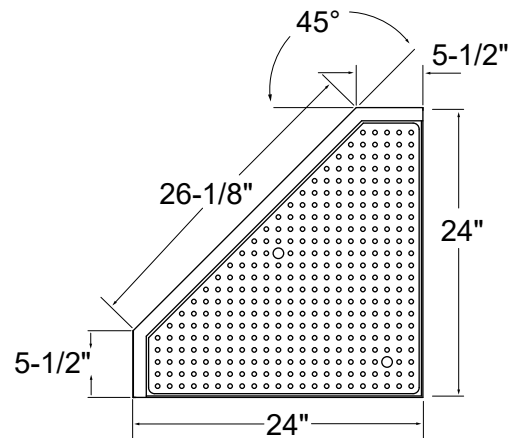
E-CIR-24/30R

PLAN VIEWS

DIMENSIONAL CORNER DRAINBOARDS WITH CHAMFERED BACK CORNER VIEWS



E-CIR-24/24-N



E-CIR-24/24-LN

