

ELEVATION

BY GLASTENDER

Project: _____	AIA# _____
Item #: _____ Qty: _____	SIS# _____
Model #: _____	



E-BS-12

Blender Stations

E-BS

E-BS-12, E-BS-18

Standard Features

- All stainless steel
- One-piece seamless top and backsplash featuring 1/4" radius corners
- Eco-friendly, foamed-in-place insulated blender shelf
- Heavy-duty, hot and cold water faucet
- Lift-out perforated plastic sink strainer
- Blender shelf with radius interior corners
- Power cord access hole with grommet on front skirt
- Junction box for duplex GFI outlet underneath blender shelf (outlet not included)
- Adjustable stainless steel bullet feet
- E-BS-18 model includes push-down rinsing faucet

Specifications

Drain

- 1-1/2" I.P.S. Threaded drain will fit Dearborn part #8033 slip-nut and part #W-573P washer.

Faucet

- Backsplash mounted on 4" centers, hot and cold water connections required
- NSF/ANSI 61, 372 low lead compliant

Rinsing Faucet (E-BS-18-RF model only)

- 6" diameter push plate
- Accepts 3/8" cold water lead
- 30 psi water pressure regulator included
- 1.2 gallons per minute

Sink Bowl Dimensions

- 9-1/4" by 11-1/2" by 6" deep

Sink Strainer

- Perforated plastic

Legs

- 1-5/8" diameter, 16 gauge stainless steel

Materials

- 20 gauge stainless steel



Intertek

4004503
Conforms to ANSI/NSF STD 2
Certified to CSA/CAN STD B45.4

03012383
Rinsing Faucet
Assembly



Intertek
4004503
Conforms to
NSF/ANSI STD 372

WARNING: The plastic wet waste strainer included with this product can expose you to chemicals including Bisphenol A (BPA), which is known to the State of California to cause birth defects or other reproductive harm. For more information, go to www.P65Warnings.ca.gov. **Part #03000483**
Warning applies to State of California only.

Underbar installation instructions: <https://www.glastender.com/support/documents/manuals/underbar-installation-instructions>

Cleaning & care instructions: <https://www.glastender.com/support/documents/manuals/general-cleaning-and-care-instructions-for-stainless-steel>

Glastender, Inc. • 5400 N Michigan Rd • Saginaw, MI • 48604-9780
989.752.4275 • 800.748.0423 • Fax 989.752.4444
www.glastender.com

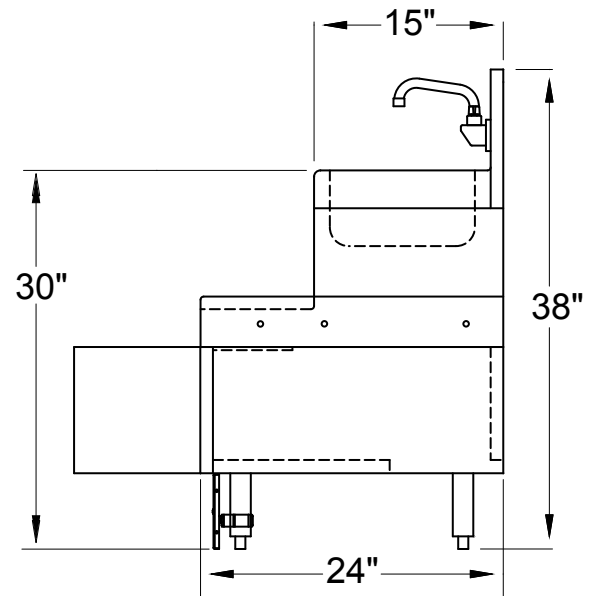
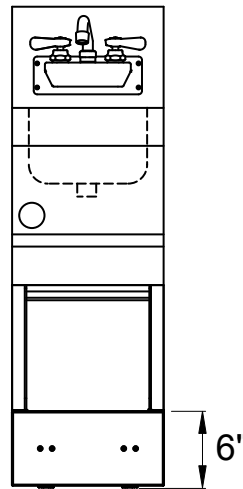
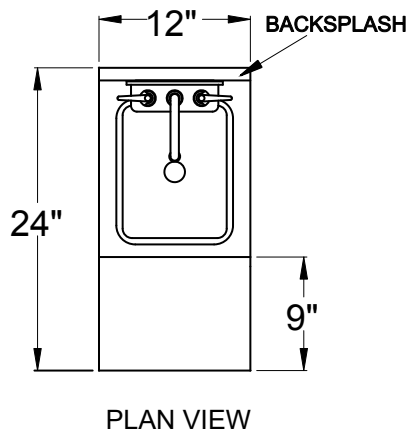
Approval/Notes:

Specifications subject to change without notice. For current specifications please visit our website.

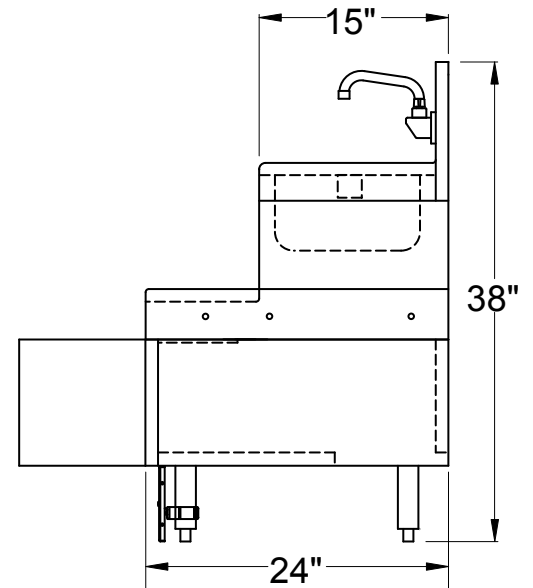
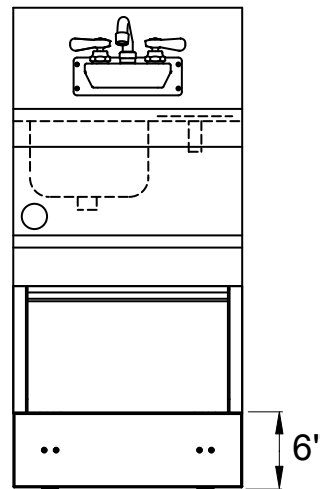
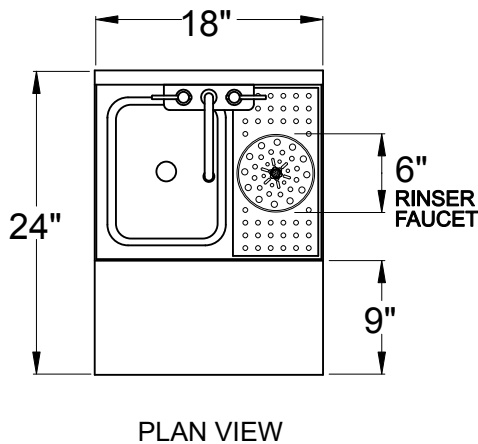
Elevation Blender Stations

Drawings

E-BS-12



E-BS-18



Rinser Faucet Installation Notes

- Unit does not provide a 1" air gap
- Must be installed with external backflow prevention to meet applicable federal, state, and local plumbing code requirements.
- Install in-line water pressure regulator (included)
- A separate shut-off valve is recommended (not included)