



CM24XS-RR

Intended for indoor use.



**Intertek**

EP 5016978  
 Energy Performance  
 Verified / Rendement  
 Énergétique Vérifié



**Intertek**

4004503  
 Conforms to NSF/ANSI STD 7  
 and UL STD 471  
 Certified to CSA STD C22.2 No. 120  
 Meets NSF 7 requirements for open food  
 as a storage refrigerator



**Intertek**

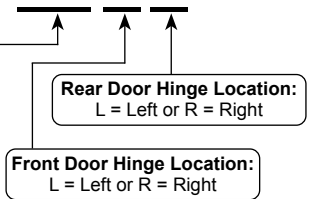
Project: _____	AIA# _____
Item #: _____ Qty: _____	SIS# _____
Model #: _____	

## Countertop Merchandiser

### CM24

**Door Style:**

- SS = Stainless Front and Back Door
- SX = Stainless Front and Glass Back Door
- XS = Glass Front and Stainless Back Door
- XX = Glass Front and Back Door



### Standard Features

- Self-contained forced air refrigeration system for uniform cooling of product
- Automatic condensate evaporator
- Digital thermostat with automatic defrost
- All stainless steel interior construction
- Stainless steel exterior construction with galvanized steel bottom
- Eco friendly foamed-in-place insulation has zero impact on global warming or ozone depletion
- Removable condenser air inlet filter for easy cleaning
- Nine-foot grounded cord and plug provided
- Available with the following door configurations:
  - Two stainless steel doors
  - One glass door with stainless steel frame and one stainless steel door
  - Two glass doors with stainless steel frame
- LED interior lights with on/off switch
- Available with 4" adjustable legs for countertop installation

### Specifications

**Electrical**

- 120V, 1 phase, 60 Hz, 2.5 full load amps
- Separate 15 amp circuit is required
- Includes a 9-foot NEMA 5-15P grounded cord



**Refrigeration**

- 1/8 HP, R290 refrigerant, 4.25 oz
- 850 BTUH refrigeration capacity (0.07 tons)
- 1,023 BTU/hr heat rejection

**Plumbing**

- Automatic condensate evaporator. No drain connection required.

**Capacity**

- Interior Dimensions: 21"W x 23"H x 17"D
- 4.7 cubic feet of storage space

**Operating Range**

- 34°F (1°C) to 40°F (4°C)

**Shelving**

- Two adjustable coated shelves included

**Legs (Optional)**

- 4" adjustable legs

**Materials**

- Stainless steel parts include: interior, doors, and exterior front, sides and top
- Galvanized steel parts include: condensing unit floor and exterior bottom

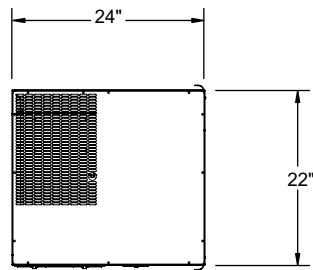
**Glastender, Inc.** • 5400 N Michigan Rd • Saginaw, MI • 48604-9780  
 989.752.4275 • 800.748.0423 • Fax 989.752.4444  
[www.glastender.com](http://www.glastender.com)

Approval/Notes:

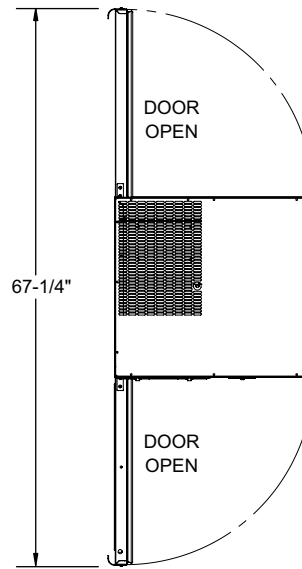
Specifications subject to change without notice. For current specifications please visit our website.

# Countertop Merchandiser

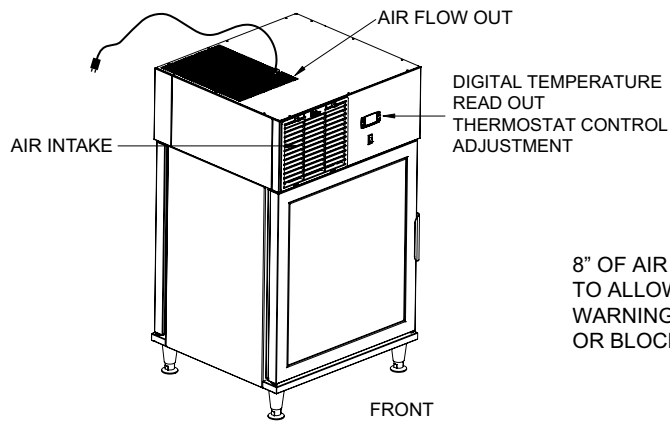
## Dimensional Information



FRONT

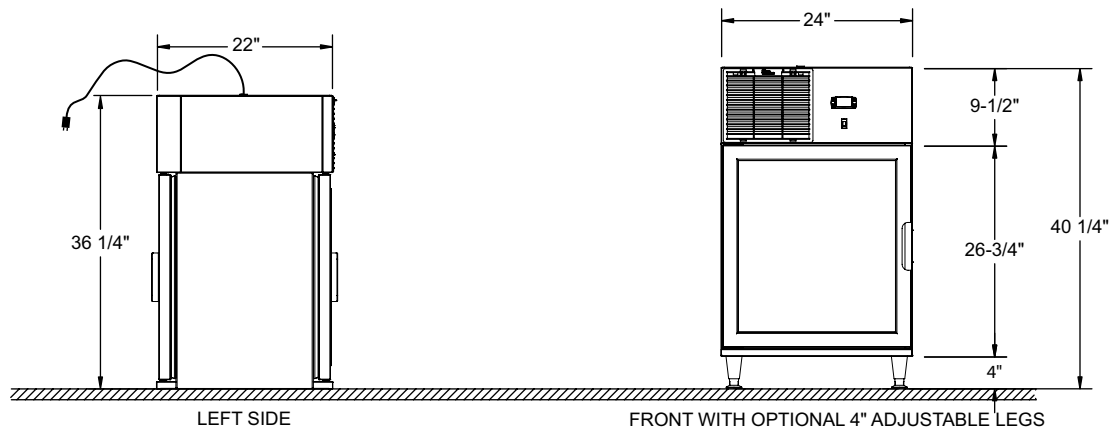


## PLAN VIEWS



8" OF AIR SPACE IS REQUIRED ABOVE UNIT TO ALLOW FOR AIR FLOW OUT  
WARNING: COMPRESSOR FAILURE DUE TO RESTRICTION OR BLOCKAGE OF AIR FLOW WILL VOID WARRANTY.

## ISOMETRIC VIEWS



## ELEVATION VIEWS



5400 N Michigan Rd • Saginaw, MI • 48604-9780  
989.752.4275 • 800.748.0423 • Fax 989.752.4444  
www.glastender.com

Printed in USA