



A family company manufacturing in the USA

www.glastender.com



CIWA-15



Intertek

4004503

Conforms to ANSI/NSF STD 2

Specifications

Drain

- 1/2" welded tailpiece drain

Materials

- 20 gauge stainless steel

Project: _____	AIA# _____
Item #: _____ Qty: _____	SIS# _____
Model #: _____	

Corner Inside Wedge Drainboards

CIW	CIWA-5, CIWA-10, CIWA-15, CIWA-30, CIWA-45, CIWA-60, CIWA-75, CIWB-5, CIWB-10, CIWB-15, CIWB-20, CIWB-25, CIWB-30, CIWB-45, CIWB-60, CIWB-75
------------	--

Standard Features

- All stainless steel
- Designed to mount between two adjacent pieces of Glastender underbar equipment (unless optional legs are used, see configurable options)
- Drain pan with separate perforated insert for better air circulation (5° and 10° models excluded)
- 1/4" radius work surface corners for easy cleaning

Configurable Options

- Leg set for one side mounting (5° and 10° models excluded)

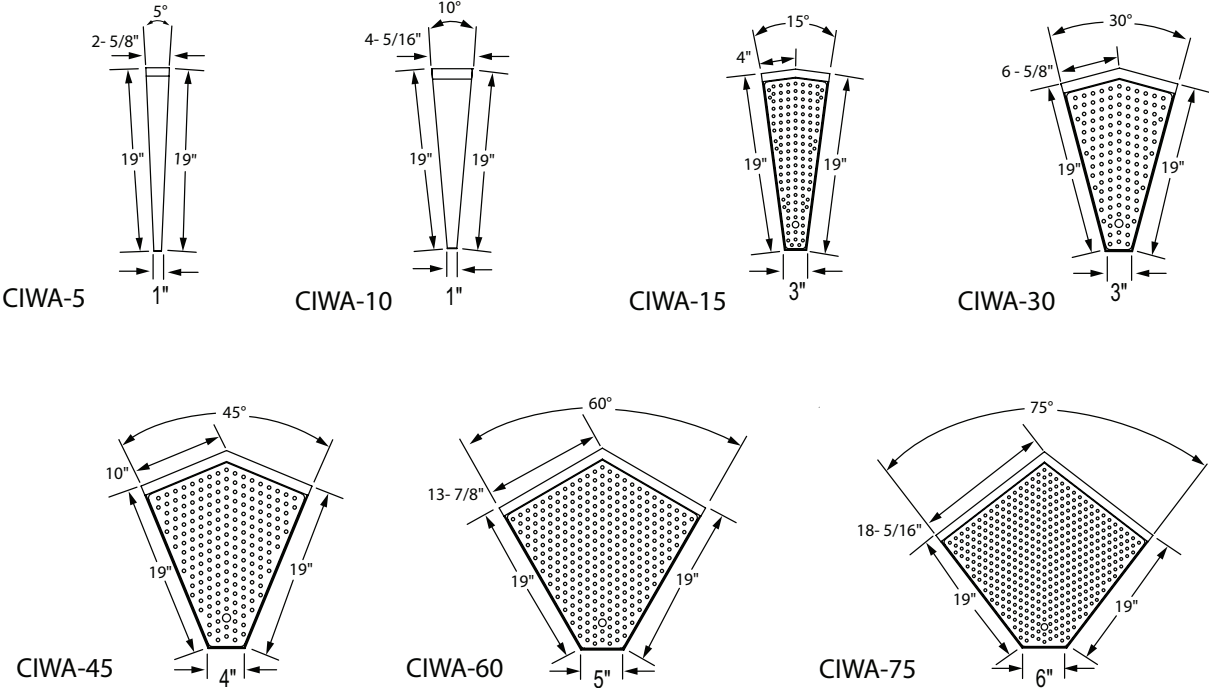
To view underbar installation instructions: <https://www.glastender.com/support/documents/manuals/underbar-installation-instructions>
 Cleaning & care instructions: <https://www.glastender.com/support/documents/manuals/general-cleaning-and-care-instructions-for-stainless-steel>

Glastender, Inc. • 5400 N Michigan Rd • Saginaw, MI • 48604-9780 989.752.4275 • 800.748.0423 • Fax 989.752.4444 www.glastender.com	Approval/Notes:
Specifications subject to change without notice. For current specifications please visit our website.	

Corner Inside Wedge Drainboards

Dimensional Information

"A" Depth-19" Deep: Plan Views



"B" Depth-24" Deep: Plan Views

