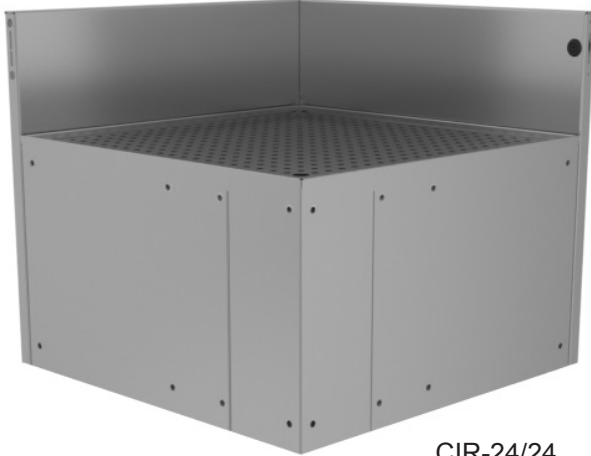




A family company manufacturing in the USA

www.glastender.com



CIR-24/24



Intertek

4004503

Conforms to ANSI/NSF STD 2

Project: _____	AIA# _____
Item #: _____ Qty: _____	SIS# _____
Model #: _____	

Corner Inside Rectangle Drainboards

CIR

CIR-19/19, CIR-19/19-N, CIR-19/24L, CIR-19/24R, CIR-19/30L, CIR-19/30R, CIR-24/24, CIR-24/24-N, CIR-24/24-LN, CIR-24/30L, CIR-24/30R

Standard Features

- All stainless steel
- Designed to mount between two adjacent pieces of Glastender underbar equipment (unless optional legs are used, see configurable options)
- Drain pan with separate perforated insert for better air circulation
- 1/4" radius work surface corners for easy cleaning

Configurable Options

- Leg set for one side mounting
- Leg set for freestanding (CIR-24/24-LN excluded)

Specifications

Drain

- 1/2" welded tailpiece drain

Materials

- 20 gauge stainless steel

To view underbar installation instructions: <https://www.glastender.com/support/documents/manuals/underbar-installation-instructions>

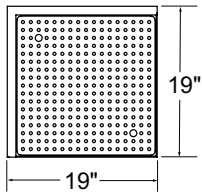
Cleaning & care instructions: <https://www.glastender.com/support/documents/manuals/general-cleaning-and-care-instructions-for-stainless-steel>

Glastender, Inc. • 5400 N Michigan Rd • Saginaw, MI • 48604-9780 989.752.4275 • 800.748.0423 • Fax 989.752.4444 www.glastender.com	Approval/Notes:
Specifications subject to change without notice. For current specifications please visit our website.	

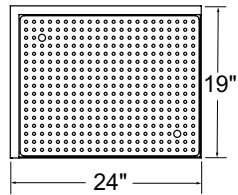
Corner Inside Rectangle Drainboards

Drawings

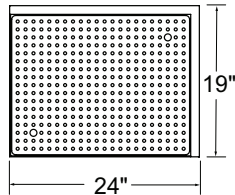
PLAN VIEWS



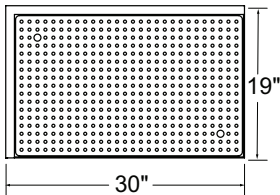
CIR-19/19



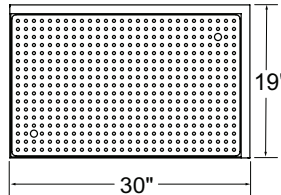
CIR-19/24L



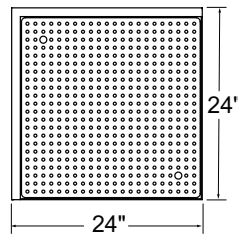
CIR-19/24R



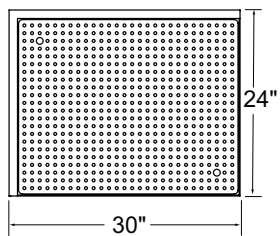
CIR-19/30L



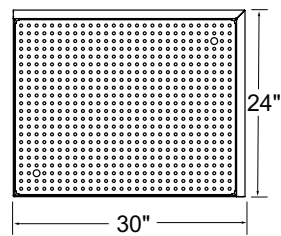
CIR-19/30R



CIR-24/24



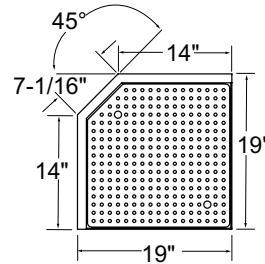
CIR-24/30L



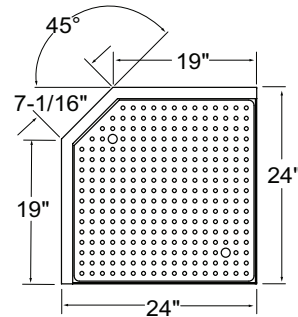
CIR-24/30R

PLAN VIEWS

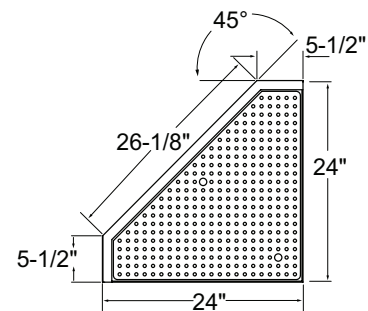
DIMENSIONAL CORNER DRAINBOARDS WITH CHAMFERED BACK CORNER VIEWS



CIR-19/19-N



CIR-24/24-N



CIR-24/24-LN