



A family company manufacturing in the USA

www.glastender.com



Intertek

4004503  
Conforms to ANSI/NSF STD 2

Project: _____	AIA# _____
Item #: _____ Qty: _____	SIS# _____
Model #: _____	

# Modular Beverage Stations

## CAB-MBS

### Product Information

Modular Beverage Stations are configured and manufactured to your specific requirements. A complete lineup is designed by selecting from the top options and then specifying the module types and sizes to mount below the top. Stations ship complete in lengths up to 144".

### Configurable Options

#### Top:

- Depth - 24", 30", or 36"
- Front overhang - 1/4", 1", or 2"
- Nosing profile - flat, marine, or rounded
- Backsplash - none, 5", or 10"
- Endsplash - none, left, right, or both
- Integrally welded drip trough
- Electrical outlets in the backsplash

#### Module:

- Adjustable shelf
- Drawer
- Drop-in
- Empty space
- End wall
- Fixed shelf
- Glass rack
- Open storage
- Roll-out shelf
- Sink
- Urn stand

### Specifications

#### Drains

- 1-1/2" I.P.S. Threaded drain will fit Dearborn part #8033 slipnut and part #W-573P washer (for optional sinks and dipper wells).
- 1/2" welded tailpiece. Clear vinyl drain line is connected to the tailpiece at the factory. A 1/2" by 1/2" barbed plastic elbow is provided to make the connection at the bottom of the unit (for optional drip trough).

#### Sink bowl dimensions (optional)

- Large - 11" by 14" by 10-1/4" deep, 16 gauge fabricated
- Small - 9-1/4" by 14" by 10-1/4" deep, 20 gauge drawn
- Dipper Well - 6" diameter, 22 gauge drawn

#### Faucets (optional)

- For sink - deck mount on 4" centers, with 6-1/4" gooseneck spout, accepts 3/8" sink leads, hot and cold water connections required
- For dipper well - accepts 3/8" cold water lead

#### Legs

- 1-5/8" diameter, 16 gauge stainless steel
- Stainless steel bullet feet

#### Materials

- 14 gauge type 304 stainless steel parts include: top
- 18 gauge type 430 stainless steel parts include: all components unless otherwise specified

To view underbar installation instructions: <https://www.glastender.com/support/documents/manuals/underbar-installation-instructions>

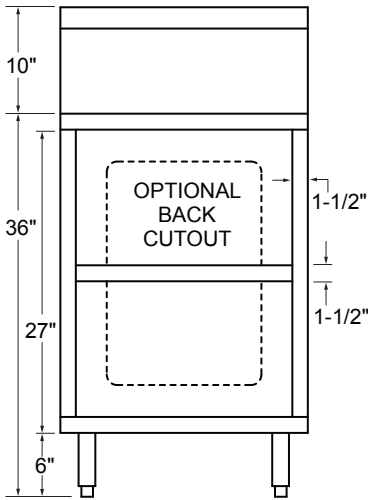
Cleaning & care instructions: <https://www.glastender.com/support/documents/manuals/general-cleaning-and-care-instructions-for-stainless-steel>

Glastender, Inc. • 5400 N Michigan Rd • Saginaw, MI • 48604-9780  
989.752.4275 • 800.748.0423 • Fax 989.752.4444  
www.glastender.com

Approval/Notes:

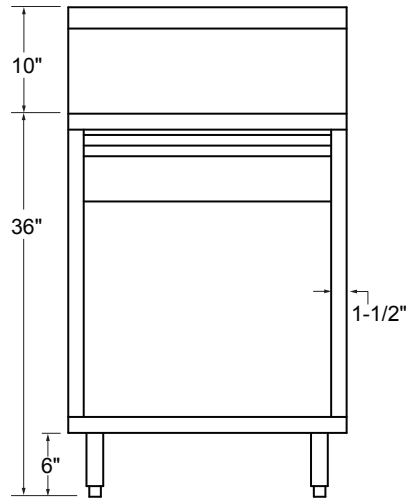
Specifications subject to change without notice. For current specifications please visit our website.

# Drawings



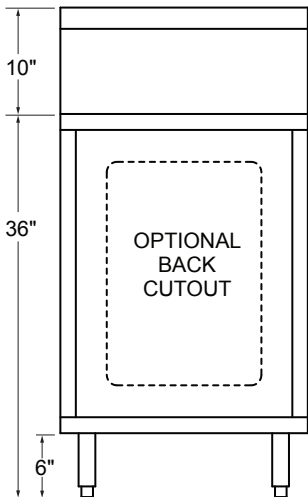
## ADJUSTABLE SHELF

- Single adjustable shelf on pilasters
- 12" to 63" lengths in 1/2" increments
- Optional back cutout
- Optional door(s) may be vented, locking, and/or hinged left or right



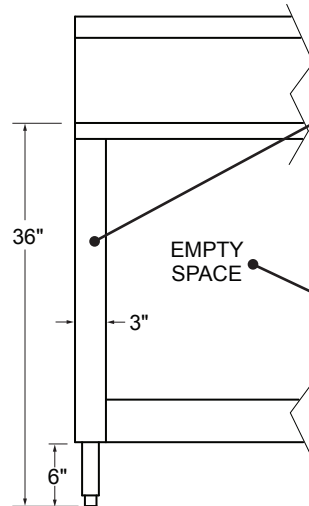
## DRAWER

- 22" or 27" lengths (27" length only available with 30" or 36" deep units)
- 1, 2, or 4 drawers (1 drawer unit shown)
- Optional door below one or two drawers
- Optional door may be vented, locking, and/or hinged left or right
- 22" unit comes with 15" by 20" removable drawer pan
- 27" unit comes with 20" by 20" removable drawer pan



## DROP-IN

- 14" to 48" lengths in 1/2" increments
- Includes cutout provisions in top
- Optional back cutout
- Optional apron may be solid or vented
- Optional door(s) may be full height or below apron
- Optional door(s) may be vented, locking, and/or hinged left or right

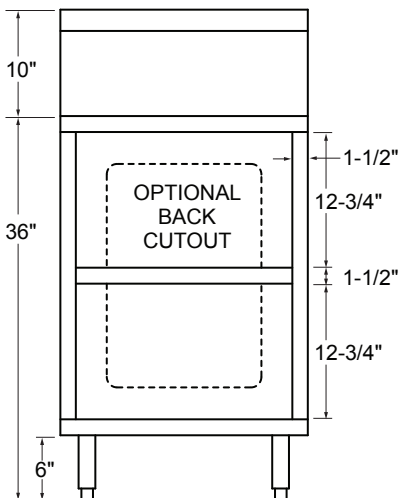


## END WALL

- 3" long finished end wall
- May be used to provide a finished end when empty space is located on the end of a station
- May be located on the left or right end of a station

## EMPTY SPACE

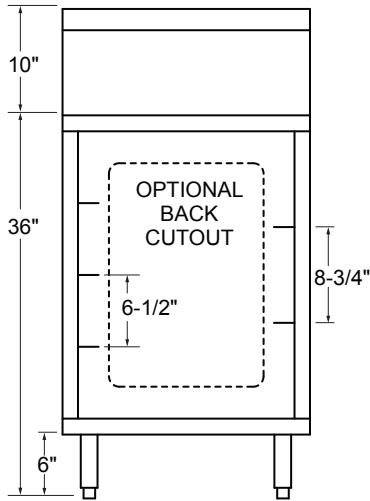
- 1" to 60" lengths in 1/2" increments
- Includes rear support channel when located between modules
- Position options: between two other modules (NOTE: can NOT be positioned next to an urn stand) or on the end to create a top overhang
- Optional trash chute in top



## FIXED SHELF

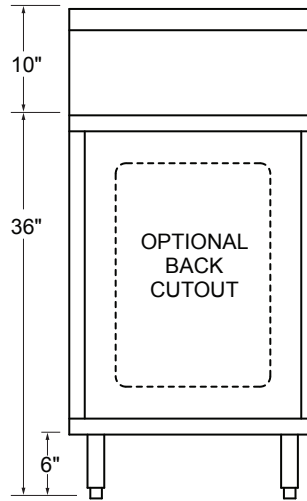
- Single fixed shelf
- 12" to 63" lengths in 1/2" increments
- Optional back cutout
- Optional door(s) may be vented, locking, and/or hinged left or right

# Drawings



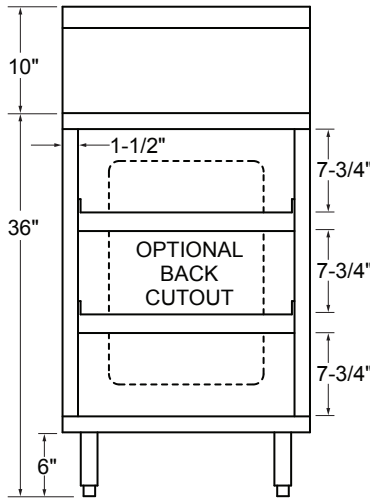
## GLASS RACK

- 24" length
- For use with 20x20 racks
- Rack slides adjustable to accommodate three or four racks
- Optional back cutout



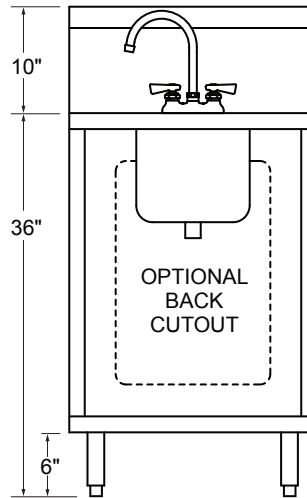
## OPEN STORAGE

- 9" to 63" lengths in 1/2" increments
- Optional back cutout
- Optional apron may be solid or vented
- Optional door(s) may be full height or below apron
- Optional door(s) may be vented, locking, and/or hinged left or right



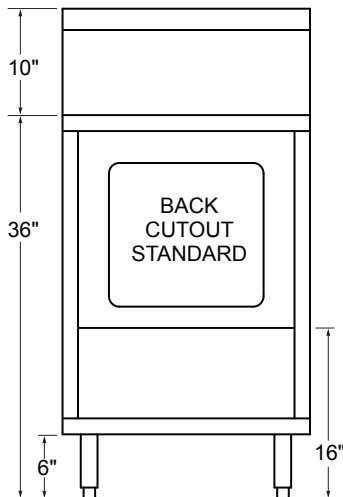
## ROLL-OUT SHELF

- 24" to 33" lengths in 1/2" increments
- Two partial extension shelves, each with 88 pound capacity
- Optional back cutout



## SINK

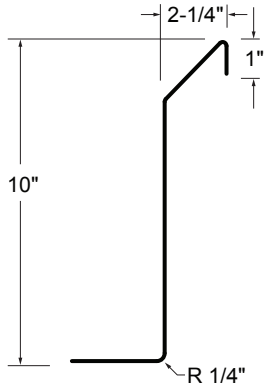
- 18" to 48" lengths in 1/2" increments
- 3 bowl options:
  - 9-1/4" x 11-1/2" x 6" deep
  - 11" x 14" x 10" deep
  - 6" diameter dipper well
- Optional back cutout
- Optional apron may be solid or vented
- Optional doors may be full height or below apron
- Optional door(s) may be vented, locking, and/or hinged left or right



## URN STAND

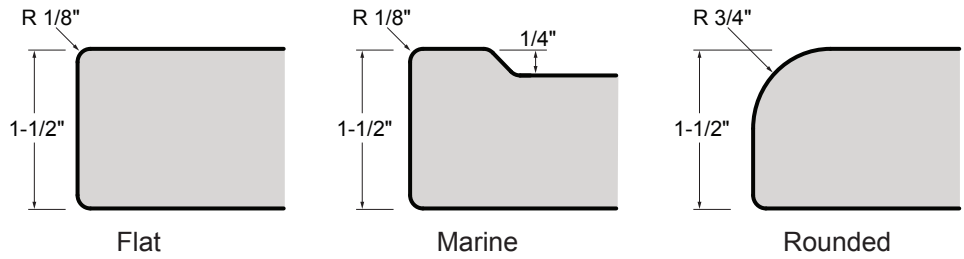
- Lowered work surface height for tall coffee and tea brewers
- 18", 21", or 24" length
- Back cutout standard
- Can NOT be located on the end of a station
- Only available with 30" or 36" deep units

10" BACKSPLASH DETAIL

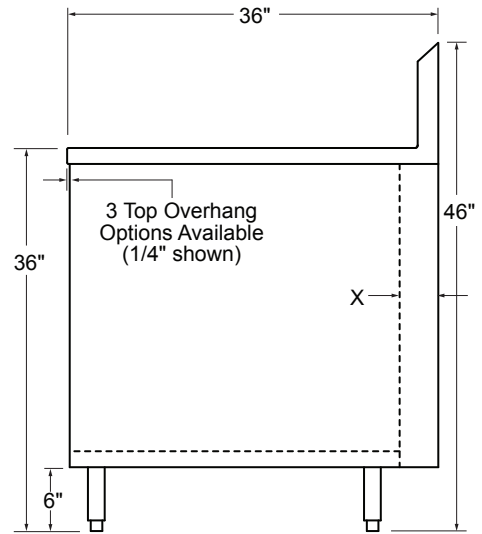
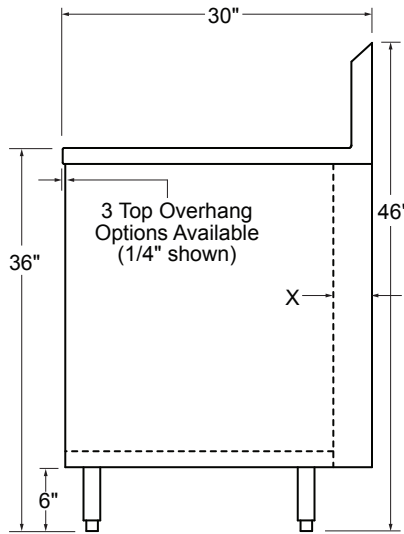
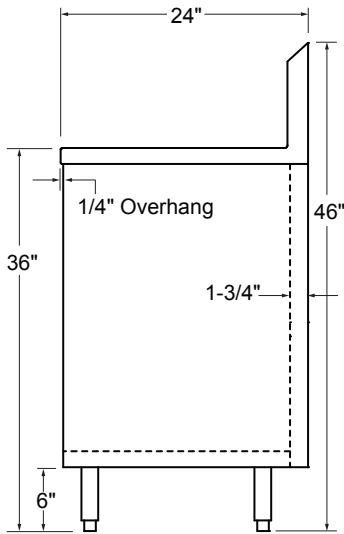
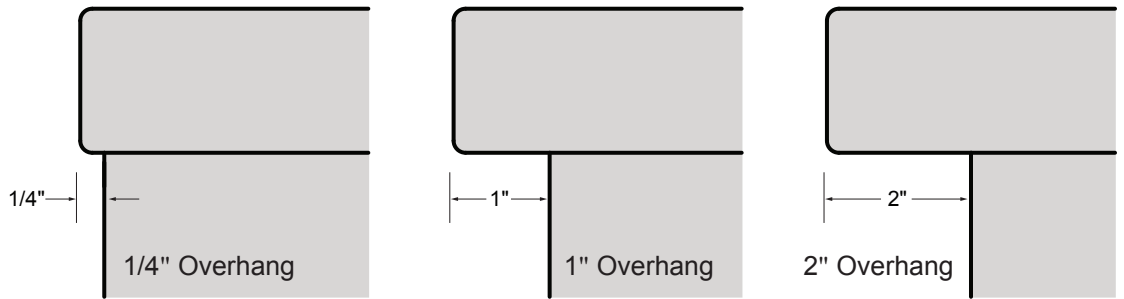


Also available with 5" high backsplash or no backsplash

EDGE AND NOSING OPTIONS



TOP OVERHANG OPTIONS  
Available for 30" and 36" deep stations only



SIDE ELEVATIONS

24" DEEP CABINETS

Only available with 1/4" top overhang. Rear utility chase is 1-3/4".

30" DEEP CABINETS

Available with 1/4" (shown), 1", or 2" top overhang. X = Rear utility chase is 3-3/4" (shown), 3", or 2" based on top overhang, respectively.

36" DEEP CABINETS

Available with 1/4" (shown), 1", or 2" top overhang. X = Rear utility chase is 3-3/4" (shown), 3", or 2" based on top overhang, respectively.