



C1SL48  
 with compressor left,  
 stainless steel doors,  
 and stainless top



**Intertek**  
 EP 5016978  
 Energy Performance  
 Verified / Rendement  
 Énergétique Vérifié



**Intertek**  
 4004503  
 Conforms to NSF/ANSI STD 7  
 and UL STD 471  
 Certified to CSA STD C22.2 No. 120  
 Listed to NSF Standard 7  
 for open food as a storage refrigerator



**Intertek**

Intended for indoor use.

### Standard Features

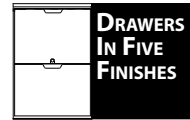
- Self-contained
- Stainless steel interior
- Locking door(s)
- LED interior lighting
- Heated mullion to minimize condensation

|                          |            |
|--------------------------|------------|
| Project: _____           | AIA# _____ |
| Item #: _____ Qty: _____ | SIS# _____ |
| Model #: _____           |            |

## Coolers, One Zone, Side Serviced, Low Profile

|             |   |
|-------------|---|
| <b>C1SL</b> | C1SL20, C1SL24, C1SL28,<br>C1SL36, C1SL44, C1SL48 |
|-------------|---|

### CONFIGURATION HIGHLIGHTS



### Configurable Options

#### Temperature:

- Beer/Food - 34°F to 40°F
- White wine - 50°F to 55°F
- Red wine - 60°F to 65°F

#### Refrigeration Compartment

##### Location:

- Left or Right

#### Refrigeration Compartment

##### Cover Finish:

- Black vinyl-clad
- Stainless steel
- Jeweled stainless

#### Door Style & Finish

##### (specify per door section):

- Black vinyl-clad
- Stainless steel
- Jeweled stainless
- Laminated
- Unlaminated
- Glass, black vinyl-clad
- Glass, stainless steel
- Glass, jeweled stainless
- Glass, laminated

#### Drawer Style & Finish:

- Black vinyl-clad
- Stainless steel
- Jeweled stainless
- Laminated
- Unlaminated

#### Door Hinge Location

##### (specify for each door):

- Left or Right

#### Door Handle:

- Signature
- Pull-tab
- Tube

#### Shelving

##### (specify per door section):

- Two adjustable, coated-wire shelves
- Pull-out wine shelves (C1SL36, and C1SL20 excluded):
  - » one upright and two horizontal storage combination
  - » four horizontal storage or five if not next to compressor compartment

#### Top Style:

- No finished top
- Stainless top
- Drainboard top

#### Left and Right Side Finish:

- Black vinyl-clad
- Stainless steel

#### Back Finish:

- Galvanized steel
- Stainless steel

#### LED Lighting Style:

- Bright white (7,000k)
- Warm white (3,500k)
- Amber (2,700k)
- Blue

**Glastender, Inc.** • 5400 N Michigan Rd • Saginaw, MI • 48604-9780  
 989.752.4275 • 800.748.0423 • Fax 989.752.4444  
[www.glastender.com](http://www.glastender.com)

Approval/Notes:

Specifications subject to change without notice. For current specifications please visit our website.

# Coolers - One Zone, Side Serviced, Low Profile

## Specifications

|                         |                    | C1SL20  | C1SL24 | C1SL28 | C1SL36 | C1SL44 | C1SL48 |
|-------------------------|--------------------|---|--------|--------|--------|--------|--------|
| Dimensions              | Length             | 20"   | 24"    | 28"    | 36"    | 44"    | 48"    |
|                         | Number of Sections | 1   | 1      | 1      | 2      | 2      | 2      |
|                         | Door Opening       | 12"   | 17.5"  | 20"    | 12"    | 16"    | 18"    |
| Electrical              | Electrical Supply  | 120V, 1 phase, 60 Hz, dedicated 15A circuit required  |        |        |        |        |        |
|                         | Full Load Amps     | 2.75  |        |        |        |        |        |
|                         | Plug Type          | 8 foot NEMA 5-15P grounded cord and plug which exits the back of refrigeration compartment* |        |        |        |        |        |
| Refrigeration           | Refrigerant        | R290 - 105 grams, 3.7 oz., 0.23 pounds  |        |        |        |        |        |
|                         | Compressor         | Reciprocating, 1/8HP, 1,000 BTUH, 0.08 Tons   |        |        |        |        |        |
|                         | Heat Rejection     | 1126 BTU/hr   |        |        |        |        |        |
| Operating Range         |                    | 34°F (1°C) to 65°F (18°C)   |        |        |        |        |        |
| Plumbing                |                    | Automatic condensate evaporator. No drain connection required †                             |        |        |        |        |        |
| Weight Bearing Capacity |                    | Countertops and other accessories should not exceed 500 pounds per door                     |        |        |        |        |        |

### Materials

- Stainless steel parts include: exterior sub-top, interior, front of cabinet, hinges, hinge and lock brackets, and optional legs
- Black vinyl-clad steel parts include: standard sides, doors and compressor cover
- Galvanized steel parts include: back and bottom

### Plumbing

- Optional drainboard top 1/2" ID drain line runs behind the compressor compartment; field connection required



† Building conditions outside the guidelines of ASHRAE 55 and ASHRE 62.1 may need to be plumbed to a drain.

## Capacities

|   |                      | C1SL20 | C1SL24 | C1SL28 | C1SL36 | C1SL44 | C1SL48 |
|---|----------------------|--------|--------|--------|--------|--------|--------|
| 12 oz. bottles, cases   |                      | 2.8    | 4.5    | 5.1    | 6.9    | 8.9    | 10.3   |
| 750ml wine bottles  |                      | 28     | 36     | 42     | 54     | 72     | 84     |
| 1/2 barrel kegs   |                      | N/A    | N/A    | N/A    | N/A    | N/A    | N/A    |
| 1/6 barrel kegs   |                      | N/A    | N/A    | N/A    | N/A    | N/A    | N/A    |
| <b>Capacity values below are per door/drawer section (750ml wine bottles)</b> |                      |        |        |        |        |        |        |
| Next to compressor  | Drawers              | 0*     | 0*     | 0*     | 0*     | 0*     | 0*     |
|   | Upright              | N/A    | N/A    | N/A    | N/A    | N/A    | N/A    |
|   | Horizontal           | N/A    | 24     | 32     | N/A    | 24     | 28     |
|   | Combination pull-out | N/A    | 34     | 42     | N/A    | 30     | 36     |
| Not next to compressor  | Drawers              | N/A    | N/A    | N/A    | 0*     | 0*     | 0*     |
|   | Upright              | N/A    | N/A    | N/A    | N/A    | N/A    | N/A    |
|   | Horizontal           | N/A    | N/A    | N/A    | N/A    | 30     | 35     |
|   | Combination pull-out | N/A    | N/A    | N/A    | N/A    | 40     | 52     |

\* Not tall enough for wine bottles



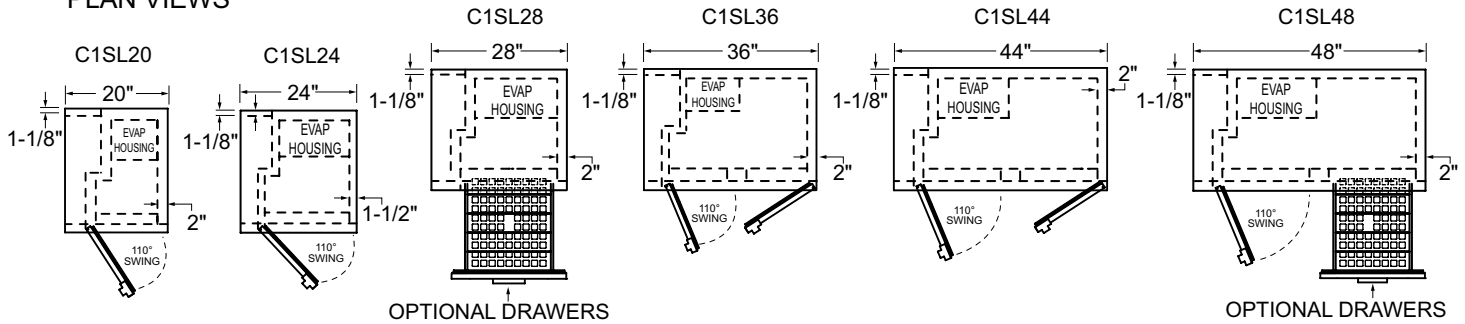
5400 N Michigan Rd • Saginaw, MI • 48604-9780  
 989.752.4275 • 800.748.0423 • Fax 989.752.4444  
 www.glastender.com

Printed in USA

# Coolers - One Zone, Side Serviced, Low Profile

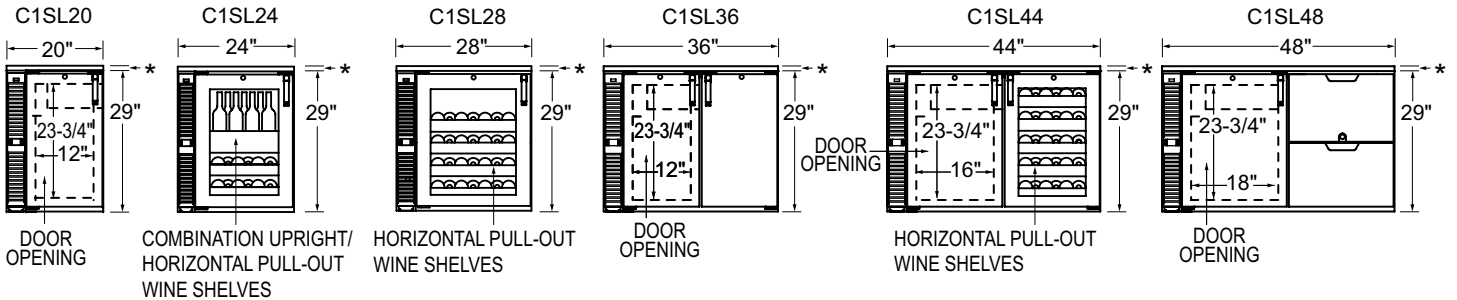
## Drawings

### PLAN VIEWS



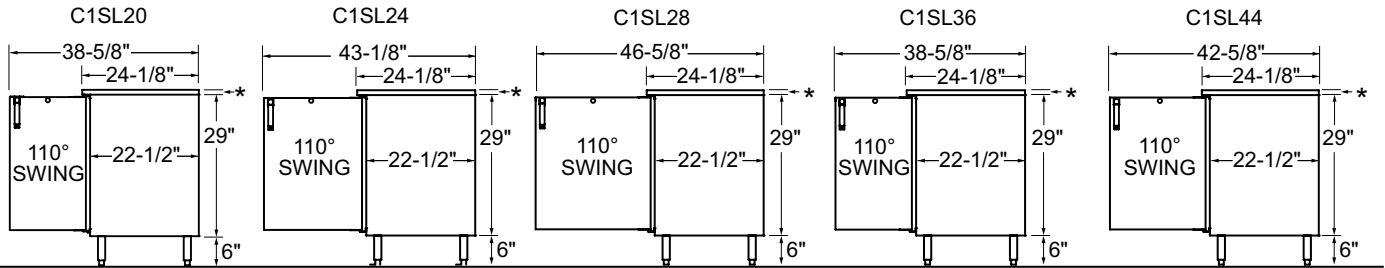
### FRONT VIEWS

\*ADD 1" HEIGHT TO TOP FOR FACTORY INSTALLED TOP

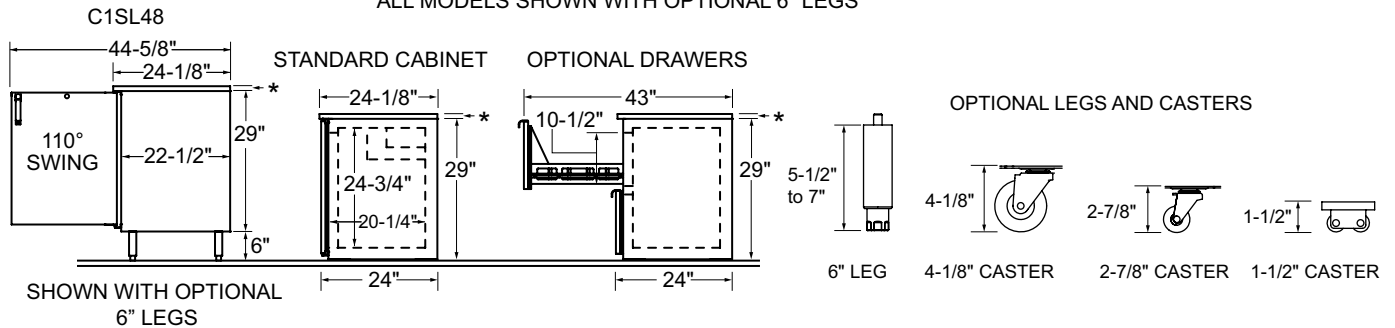


### SIDE VIEWS

\*ADD 1" HEIGHT TO TOP FOR FACTORY INSTALLED TOP



ALL MODELS SHOWN WITH OPTIONAL 6" LEGS



5400 N Michigan Rd • Saginaw, MI • 48604-9780  
 989.752.4275 • 800.748.0423 • Fax 989.752.4444  
 www.glastender.com

Printed in USA