



C1RB48
Stainless steel doors, and top



Intertek



Intertek

4004503
 Conforms to NSF/ANSI STD 7 and UL STD 471
 Certified to CSA STD C22.2 No. 120
 Listed to NSF Standard 7 for open food as a storage refrigerator

Intended for indoor use.

Standard Features

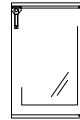
- Remote refrigeration
- Stainless steel interior
- Locking door(s)
- LED interior lighting
- Heated mullion to minimize condensation
- Stainless steel evaporator housing with separate removable evaporator drain pan

Project: _____	AIA# _____
Item #: _____ Qty: _____	SIS# _____
Model #: _____	

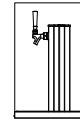
Coolers, One Zone, Remote, Bar Profile

C1RB	C1RB24, C1RB40, C1RB48, C1RB60, C1RB72, C1RB80, C1RB96
-------------	--

CONFIGURATION HIGHLIGHTS



**DOORS
IN NINE
FINISHES**



**DRAFT
BEVERAGE
COMPATIBLE**

Configurable Options

Temperature:

- Beer/Food - 34°F to 40°F
- White wine - 50°F to 55°F
- Red wine - 60°F to 65°F

Expansion Valve Type:

- R448A/R449A
- R134a/R513A
- R404A/R452A
- R407A/R407F

Refrigeration Hook-Up

Location:

- Left or Right

Door Style & Finish (specify per door section):

- Black vinyl-clad
- Stainless steel
- Jeweled stainless
- Laminated
- Unlaminated
- Glass, black vinyl-clad
- Glass, stainless steel
- Glass, jeweled stainless
- Glass, laminated

Door Hinge Location (specify for each door):

- Left or Right

Door Handle:

- Signature
- Pull-tab
- Tube

Shelving (specify per door section):

- Three adjustable, coated-wire shelves
- Keg rack
- One upright and three horizontal storage pull-out wine shelf combination

Top Style:

- No finished top
- Stainless top

Left and Right Side Finish:

- Black vinyl-clad
- Stainless steel

Back Finish:

- Galvanized steel
- Stainless steel

LED Lighting Style:

- Bright white (7,000k)
- Warm white (3,500k)
- Amber (2,700k)
- Blue

See page 5 for direct draw draft beverage towers and accessories

Glastender, Inc. • 5400 N Michigan Rd • Saginaw, MI • 48604-9780 989.752.4275 • 800.748.0423 • Fax 989.752.4444 www.glastender.com	Approval/Notes:
Specifications subject to change without notice. For current specifications please visit our website.	

Coolers - One Zone, Remote, Bar Profile

Specifications

		C1RB24	C1RB40	C1RB48	C1RB60	C1RB72	C1RB80	C1RB96
Dimensions	Length	24"	40"	48"	60"	72"	80"	96"
	Number of Sections	1	2	2	3	3	4	4
	Door Opening	20"	16"	20"	16"	20"	16"	20"
Electrical	Electrical Supply	120V, 1 phase, 60 Hz, dedicated 15A circuit required						
	Full Load Amps	1.5						
	Plug Type	No plug, hard wire connection						
Refrigeration	Refrigerant	As specified						
	Compressor	N/A						
	System Capacity Requirements	800 BTUH	1100 BTUH	1200 BTUH	1400 BTUH	1500 BTUH	1700 BTUH	1900 BTUH
Plumbing	Drains via a supplied length of six foot 1/2" ID by 5/8" OD vinyl tubing via available knock-out holes, connection made in field							
Weight Bearing Capacity	Countertops and other accessories should not exceed 500 pounds per door							

Electrical

- 14 gauge wire connection is made inside the cooler next to evaporator housing - interior access is through one of the 3/4" side knock-out holes (electrician's choice)

Materials

- Stainless steel parts include: exterior sub-top, interior, front of cabinet, hinges, hinge and lock brackets, and optional legs
- Black vinyl-clad steel parts include: standard sides, doors and compressor cover
- Galvanized steel parts include: back and bottom

Refrigeration

- Expansion valve & temperature control included; specify type when ordering
- BTU/hr design loads are figured assuming 85° F ambient, 15° F evaporator temperature, all glass doors, maximum internal loading, and average compressor cycling, no solar heat gain has been accounted for

Capacities

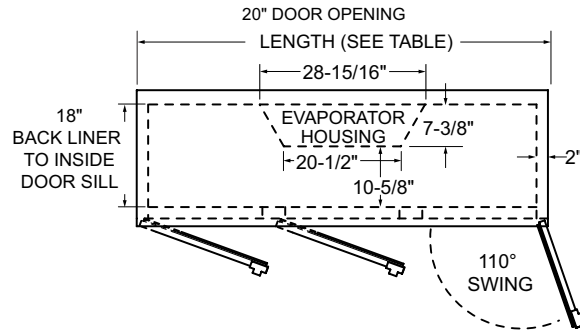
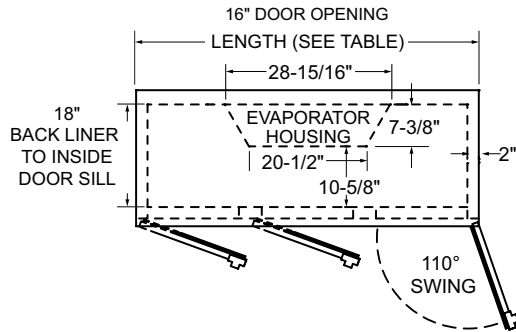
	C1RB24	C1RB40	C1RB48	C1RB60	C1RB72	C1RB80	C1RB96
12 oz. bottles, cases	8.0	12.3	16.2	19.9	25.9	27.7	35.7
750ml wine bottles	60	126	152	216	256	294	354
1/2 barrel kegs	1	N/A	2	N/A	4	N/A	5
1/6 barrel kegs	3	6	7	10	11	14	17
Capacity values below are per door/drawer section (750ml wine bottles)							
Drawers	N/A	N/A	N/A	N/A	N/A	N/A	N/A
Upright pull-out	N/A	N/A	N/A	N/A	N/A	N/A	N/A
Horizontal pull-out	N/A	N/A	N/A	N/A	N/A	N/A	N/A
Combination pull-out	45	34	45	34	45	34	45



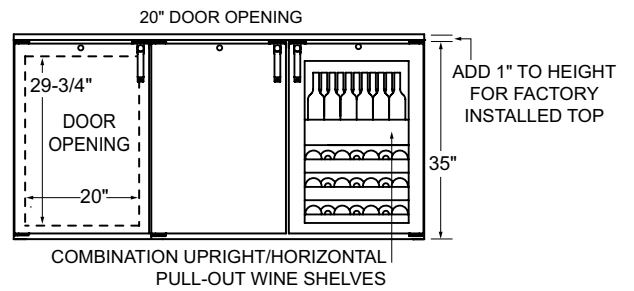
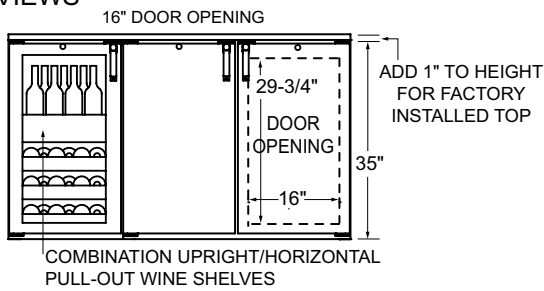
Coolers - One Zone, Remote, Bar Profile

Drawings

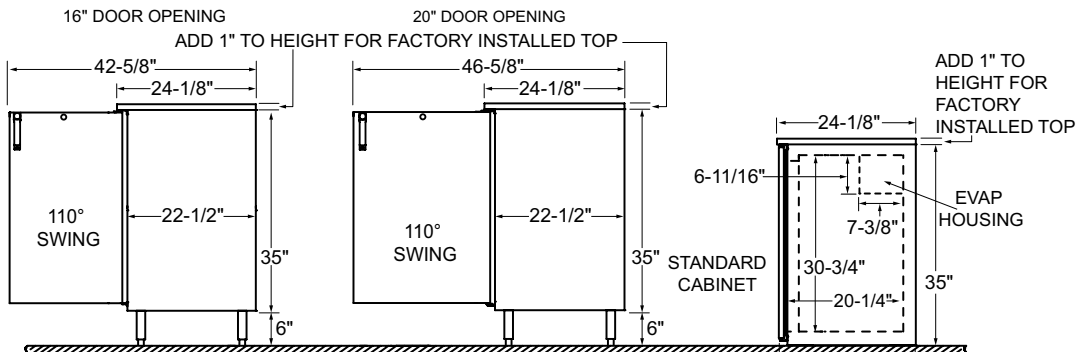
PLAN VIEWS



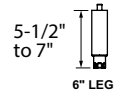
FRONT VIEWS



SIDE VIEWS



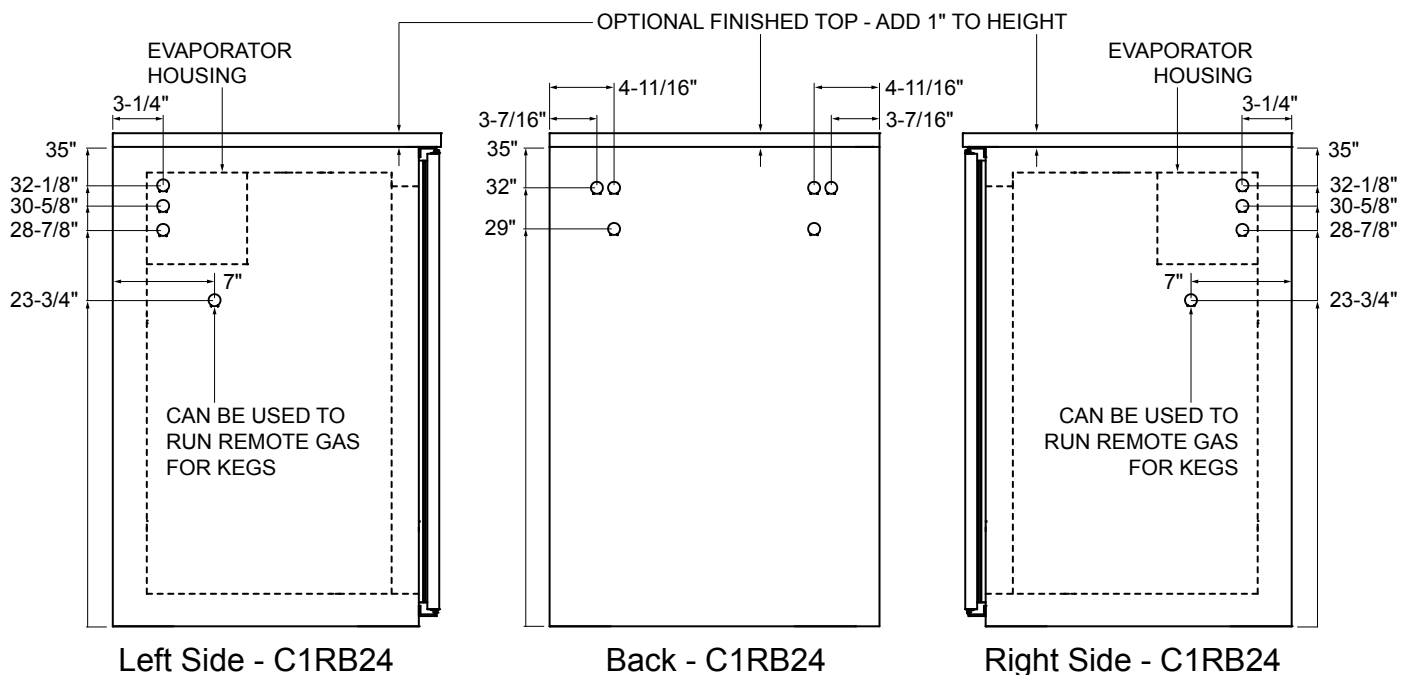
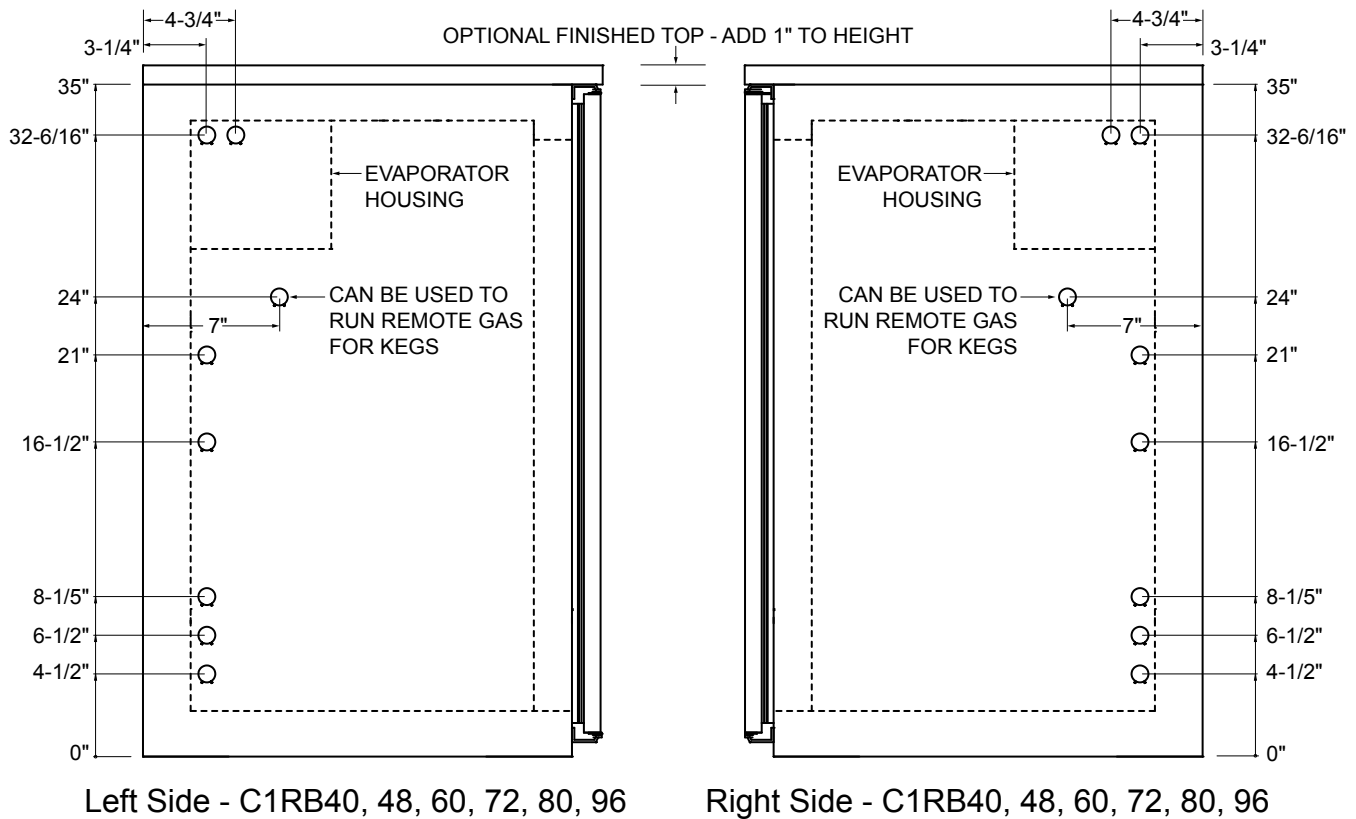
OPTIONAL LEGS



Coolers - One Zone, Remote, Bar Profile

Refrigeration, Plumbing, and Electrical Access Locations

Knockout holes will appear on the side (and back of C1RB24) specified for refrigeration hook-up. The series of knockouts from top to bottom allow installation flexibility to run refrigeration lines, electrical, and drain lines in various locations. There are line covers provided on the interior of the box to cover the lines.



Direct Draw Draft Beverage Towers and Accessories



Configuring Bar Profile Coolers for Draft Beverage Dispensing

All Glastender bar profile coolers can be configured for draft beverage dispensing. Please note that a minimum 17" wide door opening is required for full size (i.e., 16" diameter) 1/2 barrel kegs. Refer to the capacity statements in the Product Directory or Specification Sheet for the sizes and quantities of kegs each unit will hold.

Direct Draw Draft Beverage Towers

Glastender Beverage Towers include the stainless steel faucets and shanks necessary to dispense keg beer, wine, soda, coffee, or cocktails. See individual price pages for complete information.

Tee Tower shown
See individual tower
spec sheets for
complete information

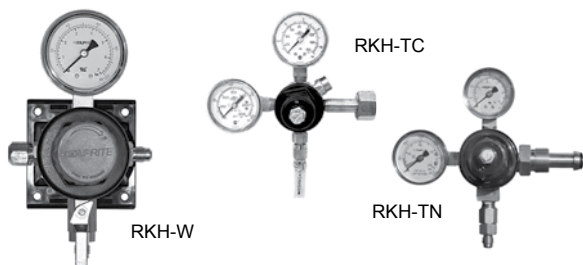
Look for the Draft Beer
Compatible logo



HIGH PRESSURE REGULATOR KITS

High pressure regulators reduce the gas pressure from the primary source. A tank mount regulator attaches directly to a gas cylinder, while a wall mount regulator splices into gas tubing when the gas supply is used for more than one system. RKH-TN regulator kits are used if pre-blended CO₂ and nitrogen or pure nitrogen cylinders are being used. All high pressure regulator kits include 50 feet of braided nylon gas tubing.

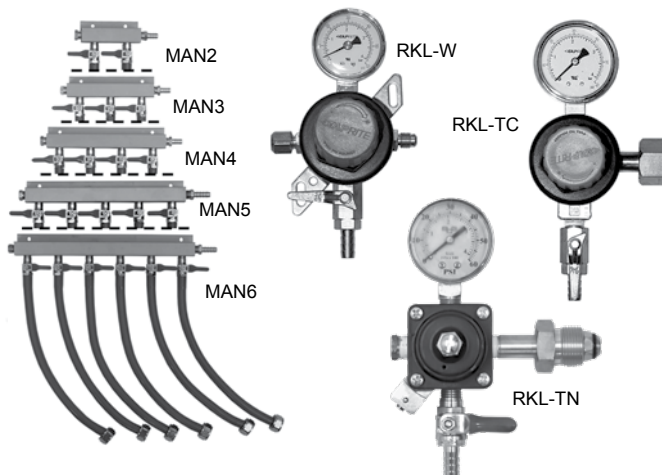
MODEL	DESCRIPTION	WGT
RKH-W	Wall mount, CO ₂ or Nitrogen, single gauge	15#
RKH-TC	Tank mount, CO ₂ , double gauge	15#
RKH-TN	Tank mount, Nitrogen, double gauge	15#



LOW PRESSURE REGULATOR KITS

Low pressure regulator kits connect to the gas tubing exiting a high pressure regulator. If a 5 pound gas cylinder will be kept inside the cooler, a single gauge tank mounted RKL-TC or -TN will be required depending on the gas being used. All low pressure regulator kits include 6 feet of red gas tubing. For installations requiring more than one keg on tap, also order the appropriate size manifold kit. All manifold kits include 6 feet of red gas tubing per product, and the clamps required for connecting to keg couplers (sold separately).

MODEL	DESCRIPTION	WGT
RKL-W	Wall mount, CO ₂ or Nitrogen, single gauge	7#
RKL-TC	Tank mount, CO ₂ , single gauge	7#
RKL-TN	Tank mount, Nitrogen, single gauge	7#
MAN2	Two product manifold kit	2#
MAN3	Three product manifold kit	3#
MAN4	Four product manifold kit	4#
MAN5	Five product manifold kit	5#
MAN6	Six product manifold kit	6#



ADDITIONAL ACCESSORIES

MODEL	DESCRIPTION	WGT
03004240	1/2" ID black drain line, per foot	N/A
05000400	5/16" ID red vinyl air line, per foot	N/A
05000386	1/4" ID nylon braided gas tubing, per foot	N/A
05001066	D system keg coupler w/ss probe	2#
05001026	D system keg coupler, low profile	2#
05003763	S system keg coupler w/ss probe, for select imports	2#
05002019	U System Keg Coupler, stainless probe, for Guinness & Harp	2#
05000368	Lock for beer faucet	2#
05000636	5# CO ₂ tank (unfilled)	15#
LCK	Line cleaning kit	3#
06007084	Drain bottle	2#



Tower Cooling Kits

Direct draw beverage towers are chilled by air from inside the host cooler. This is especially important for draft beer, as warm faucets cause the beer to foam.

TOWER COOLING KITS

MODEL	DESCRIPTION	WGT
TCK12-1	For 1 & 2-door coolers w/ one tower column	3#
TCK12-2	For 1 & 2-door coolers w/ two tower columns	6#
TCK34-1	For 3 & 4-door coolers w/ one tower column	8#
TCK34-2	For 3 & 4-door coolers w/ two tower columns	11#
TCKR-1	For remote coolers w/ one tower column	3#
TCKR-2	For remote coolers w/ two tower columns	6#

Glastender

5400 N Michigan Rd • Saginaw, MI • 48604-9780
989.752.4275 • 800.748.0423 • Fax 989.752.4444
www.glastender.com

Printed in USA