



C1FL60 with compressor left, stainless doors, and top



Intertek
EP 5016978
Energy Performance
Verified / Rendement
Énergétique Vérifié



Intertek
4004503
Conforms to NSF/ANSI STD 7 and
UL STD 471
Certified to CSA STD C22.2 No. 120
Listed to NSF Standard 7
for open food as a storage refrigerator



Intertek

Intended for indoor use.

Standard Features

- Self-contained
- Locking door(s)
- LED interior lighting
- Heated mullion to minimize condensation
- Evaporator above compressor compartment to maximize storage capacity

Project: _____	AIA# _____
Item #: _____ Qty: _____	SIS# _____
Model #: _____	

Coolers, One Zone, Front Serviced, Low Profile

C1FL	C1FL32, C1FL36, C1FL52, C1FL60, C1FL72, C1FL84, C1FL92, C1FL108
-------------	--

CONFIGURATION HIGHLIGHT



Configurable Options

- Temperature:**
- Beer/Food - 34°F to 40°F
 - White wine - 50°F to 55°F
 - Red wine - 60°F to 65°F
- Refrigeration Compartment Location:**
- Left or Right
- Refrigeration Compartment Cover Finish:**
- Black vinyl-clad
 - Stainless steel
 - Jeweled stainless
 - Laminated
 - Unlaminated
- Door Style & Finish (specify per door section):**
- Black vinyl-clad
 - Stainless steel
 - Jeweled stainless
 - Laminated
 - Unlaminated
 - Glass, black vinyl-clad
 - Glass, stainless steel
 - Glass, jeweled stainless
 - Glass, laminated
- Door Hinge Location (specify for each door):**
- Left or Right
- Door Handle:**
- Signature
 - Pull-tab
 - Tube
- Shelving (specify per door section):**
- Two adjustable, coated-wire shelves
 - Pull-out wine shelves:
 - » one upright and two horizontal storage combination
 - » five horizontal storage (not available for the door next to the compressor compartment.)
- Top Style:**
- No finished top
 - Stainless top
 - Drainboard top
- 4" High Stainless Splashes (can only be ordered with stainless top):**
- None
 - Backsplash
 - Left side splash
 - Right side splash
- Left and Right Side Finish:**
- Black vinyl-clad
 - Stainless steel
- Back Finish:**
- Galvanized steel
 - Stainless steel
- LED Lighting Style:**
- Bright white (7,000k)
 - Warm white (3,500k)
 - Amber (2,700k)
 - Blue

Glastender, Inc. • 5400 N Michigan Rd • Saginaw, MI • 48604-9780 989.752.4275 • 800.748.0423 • Fax 989.752.4444 www.glastender.com	Approval/Notes:
Specifications subject to change without notice. For current specifications please visit our website.	

Coolers - One Zone, Front Serviced, Low Profile

Specifications

		C1FL32	C1FL36	C1FL52	C1FL60	C1FL72	C1FL84	C1FL92	C1FL108
Dimensions	Length	32"	36"	52"	60"	72"	84"	92"	108"
	Number of Sections	1	1	2	2	3	3	4	4
	Door Opening	16"	20"	16"	20"	16"	20"	16"	20"
Electrical	Electrical Supply	120V, 1 phase, 60 Hz, Dedicated 15 amp circuit is required							
	Full Load Amps	3.5				7			
	Plug Type	8 foot NEMA 5-15P grounded cord and plug which exits the back of refrigeration compartment*							
Refrigeration	Refrigerant	R290 - 125 grams, 3.88 oz., 0.24 pounds							
	Compressor	Reciprocating, 1/6 HP, 1300 BTUH, 0.11 Tons				Reciprocating, 1/4 HP, 2200 BTUH, 0.18 Tons			
	Heat Rejection	1430 BTUH	1430 BTUH	1430 BTUH	1430 BTUH	2867 BTUH	2867 BTUH	2867 BTUH	2867 BTUH
Operating Range		34°F (1°C) to 65°F (18°C)							
Plumbing		Automatic condensate evaporator. No drain connection required †							
Weight Bearing Capacity		Countertops and other accessories should not exceed 500 pounds per door							

Materials

- Stainless steel parts include: exterior sub-top, interior, front of cabinet, hinges, hinge and lock brackets, and optional legs
- Black vinyl-clad steel parts include: standard sides, doors and compressor cover
- Galvanized steel parts include: back and bottom

Plumbing

- Optional drainboard top 1/2" ID drain line stubs out beneath the compressor compartment; field connection required



† Building conditions outside the guidelines of ASHRAE 55 and ASHRE 62.1 may need to be plumbed to a drain.

Capacities

		C1FL32	C1FL36	C1FL52	C1FL60	C1FL72	C1FL84	C1FL92	C1FL108
12 oz. bottles, cases		3.8	5.2	8.8	11.5	14.0	18.0	19.2	24.5
750ml wine bottles		30	42	72	84	114	132	156	180
1/2 barrel kegs		N/A	N/A	N/A	N/A	N/A	N/A	N/A	N/A
1/6 barrel kegs		N/A	N/A	N/A	N/A	N/A	N/A	N/A	N/A
Capacity values below are per door/drawer section (750ml wine bottles)									
Next to compressor	Drawers	N/A	N/A	N/A	N/A	N/A	N/A	N/A	N/A
	Upright pull-out	N/A	N/A	N/A	N/A	N/A	N/A	N/A	N/A
	Horizontal pull-out	N/A	N/A	N/A	N/A	N/A	N/A	N/A	N/A
	Combination pull-out	36	52	36	52	36	52	36	52
Not next to compressor	Drawers	N/A	N/A	N/A	N/A	N/A	N/A	N/A	N/A
	Upright pull-out	N/A	N/A	N/A	N/A	N/A	N/A	N/A	N/A
	Horizontal pull-out	30	40	30	40	30	40	30	40
	Combination pull-out	36	52	36	52	36	52	36	52



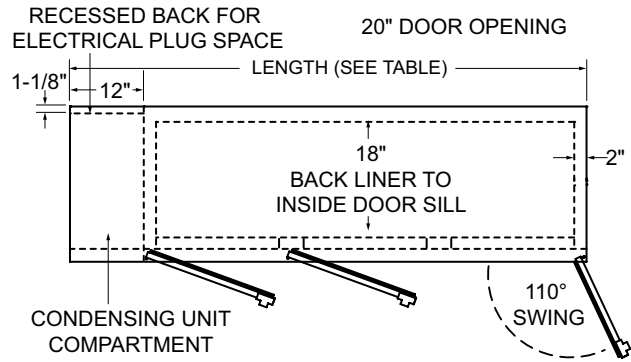
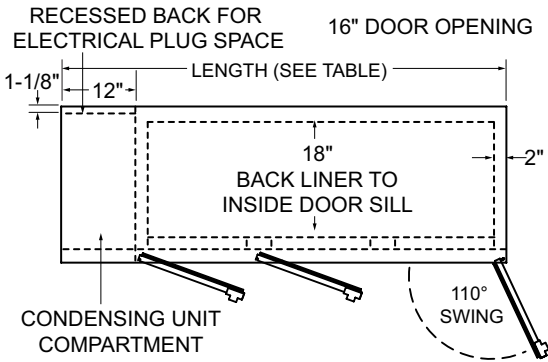
5400 N Michigan Rd • Saginaw, MI • 48604-9780
 989.752.4275 • 800.748.0423 • Fax 989.752.4444
 www.glastender.com

Printed in USA

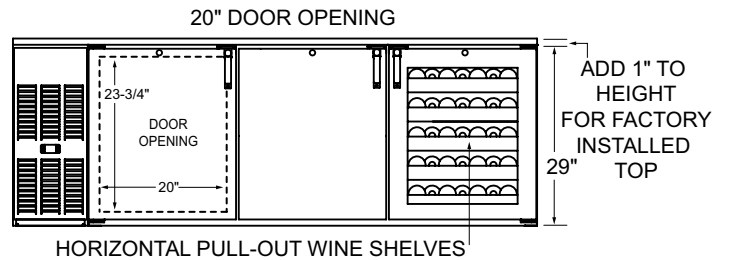
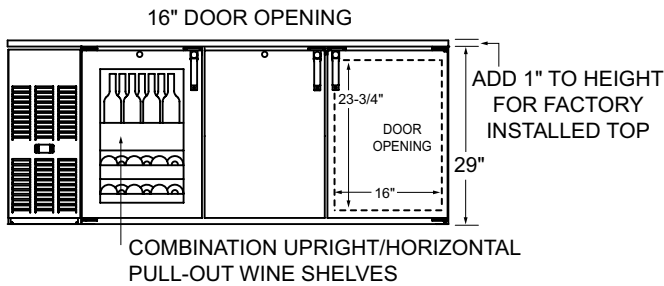
Coolers - One Zone, Front Serviced, Low Profile

Drawings

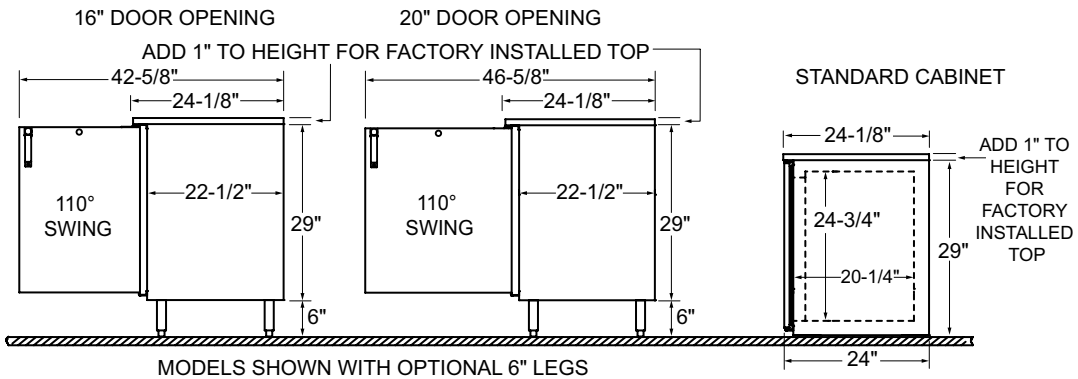
PLAN VIEWS



FRONT VIEWS



SIDE VIEWS



OPTIONAL LEGS AND CASTERS

