

|                          |            |
|--------------------------|------------|
| Project: _____           | AIA# _____ |
| Item #: _____ Qty: _____ | SIS# _____ |
| Model #: _____           |            |

## Tubing Chases

C-TCA, C-TCB

### Standard Features

- All stainless steel construction
- Tubing chase is 5-1/2" x 6" x 4" high
- Mounts between adjacent underbar equipment (there is no provision for leg mounting)
- Can be set in place after beverage lines are installed

### Specifications

#### Tubing Chase

- 5-1/2" x 6" x 4" high

#### Materials

- 20 gauge stainless steel

#### Mounting

- Must be mounted to adjacent piece of free standing underbar equipment
- No provisions for leg mounting, unit cannot be free standing



C-TCA



**Intertek**

4004503

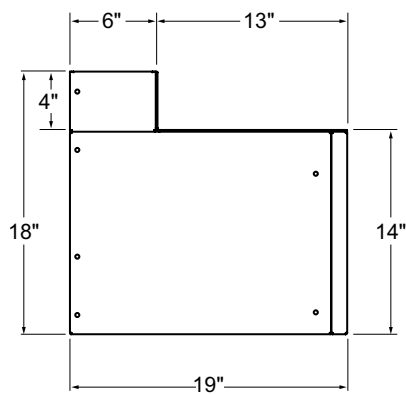
Conforms to ANSI/NSF STD 2

Choice installation instructions: <https://www.glastender.com/support/documents/manuals/choice-line-mounting-instructions>

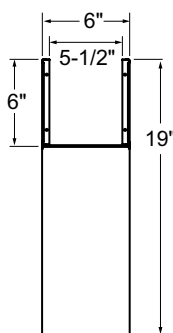
Cleaning & care instructions: <https://www.glastender.com/support/documents/manuals/general-cleaning-and-care-instructions-for-stainless-steel>

### Dimensional Information

C-TCA

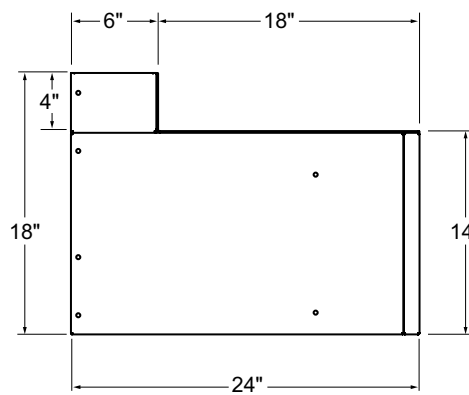


SIDE ELEVATION

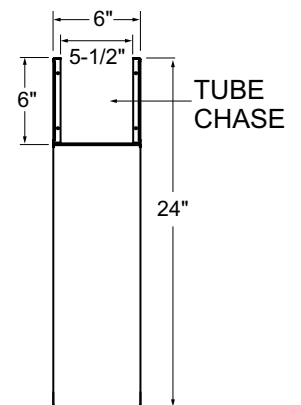


PLAN VIEW

C-TCB



SIDE ELEVATION



PLAN VIEW

**Glastender, Inc.** • 5400 North Michigan Road • Saginaw, MI • 48604-9780  
989.752.4275 • 800.748.0423 • Fax 989.752.4444  
www.glastender.com

Approval/Notes:

Specifications subject to change without notice. For current specifications please visit our website.