



C-SWA-12



Intertek

4004503

Conforms to NSF/ANSI STD 2
Certified to CSA STD B45.4

Specifications

Drain

- 1-1/2" I.P.S. threaded drain will fit Dearborn part #8033 slipnut and part #W-573P washer.

Faucet

- Deck mount on 4" centers, accepts 3/8" sink leads, hot and cold water connection required
- Optional foot- or knee-operated faucet: single hole, (2) 1/2" NPT female inlets and (1) 1/2" NPT female outlet
- NSF/ANSI 61, 372 low lead compliant

Sink Bowl Dimensions

- 9-1/4" by 11-1/2" by 6" deep

Legs

- 1-5/8" diameter, 16 gauge stainless steel
- Stainless steel bullet feet

Materials

- 20 gauge stainless steel

⚠ WARNING: The plastic wet waste strainer included with this product can expose you to chemicals including Bisphenol A (BPA), which is known to the State of California to cause birth defects or other reproductive harm. For more information, go to www.P65Warnings.ca.gov. **Warning applies to State of California only.** Part #03000483

Project: _____	AIA# _____
Item #: _____ Qty: _____	SIS# _____
Model #: _____	

Wet Waste Sinks

C-SW

C-SWA-12, C-SWB-12

Standard Features

- All stainless steel
- Complete welded construction to meet NSF[®] standards
- One-piece seamless top and backsplash featuring 1/4" radius corners
- Drawn sink bowl
- Heavy duty, hot and cold water faucet
- Lift-out perforated plastic wet waste strainer
- Adjustable stainless steel bullet feet

Configurable Options

- Foot-operated faucet; specify option FOF-D
- Knee-operated faucet; specify option KOF-D (for C-SWB-12)
- Side splashes; specify option C-LSA-D (left) and/or C-RSA-D (right) for C-SWA-12, specify option C-LSB-D (left) and/or C-RSB-D (right) for C-SWB-12

Accessories

C-SR-12	12" single speed rail
C-DR-12	12" double speed rail
C-DWR-S	Dry waste rail, aligns with single speed rail
C-DWR-D	Dry waste rail, aligns with double speed rail
03000511	Wrist handles, set of two
TR	Towel ring
DWC	Trash receptacle, stainless steel
03005491	Trash receptacle, 28½ qt., gray plastic



FOF-D
Foot-operated
faucet



KOF-D
Knee-operated
faucet

Choice installation instructions: <https://www.glastender.com/support/documents/manuals/choice-line-mounting-instructions>

Cleaning & care instructions: <https://www.glastender.com/support/documents/manuals/general-cleaning-and-care-instructions-for-stainless-steel>

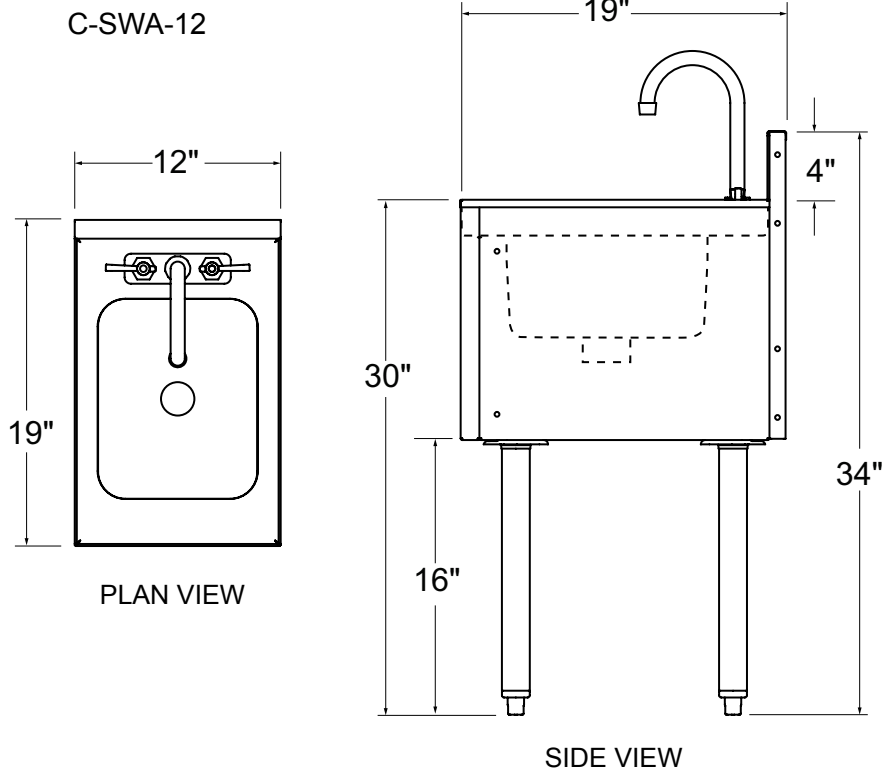
Glastender, Inc. • 5400 North Michigan Road • Saginaw, MI • 48604-9780
989.752.4275 • 800.748.0423 • Fax 989.752.4444
www.glastender.com

Approval/Notes:

Specifications subject to change without notice. For current specifications please visit our website.

Choice Wet Waste Sinks

Dimensional Information



C-SWA-12, & C-SWB-12

