

Project: _____	AIA# _____
Item #: _____ Qty: _____	SIS# _____
Model #: _____	

Soda Manifold Housings

C-SMHA-4, C-SMHA-4-ED, C-SMHA-6, C-SMHA-6-ED, C-SMHB-4, C-SMHB-4-ED, C-SMHB-6, C-SMHB-6-ED, C-SMHP-4, C-SMHP-4-ED, C-SMHP-6, C-SMHP-6-ED

Standard Features

- Stainless steel construction
- Designed to house the manifold of Wunder-Bar[®] or Schroeder America[™] 8 to 14 button soda guns
- Once installed, the top of the housing is 34" high
- Top cover is removable for access to the soda manifold
- Eliminates the need for tubing bundles above the work surface
- Mounts to an adjacent piece of Choice underbar (there is no provision for leg mounting)
- The soda gun drip cup supplied by the soda gun manufacturer mounts to the underside of your bar top
- Extra deep "-ED" models available to align with extra-deep-style ice bins

Specifications

Materials

- 20 gauge stainless steel parts include: all components unless otherwise noted



Intertek
4004503

Conforms to ANSI/NSF STD 2



Choice installation instructions: <https://www.glastender.com/support/documents/manuals/choice-line-mounting-instructions>

Cleaning & care instructions: <https://www.glastender.com/support/documents/manuals/general-cleaning-and-care-instructions-for-stainless-steel>

Glastender, Inc. • 5400 North Michigan Road • Saginaw, MI • 48604-9780
989.752.4275 • 800.748.0423 • Fax 989.752.4444
www.glastender.com

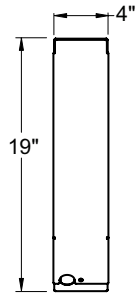
Approval/Notes:

Specifications subject to change without notice. For current specifications please visit our website.

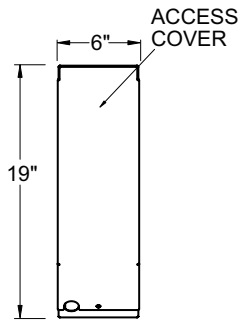
Choice Soda Manifold Housings

Dimensional Information

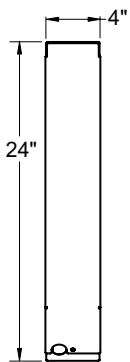
PLAN VIEWS



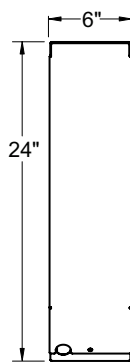
C-SMHA-4
C-SMHA-4-ED



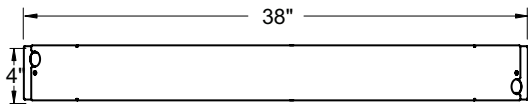
C-SMHA-6
C-SMHA-6-ED



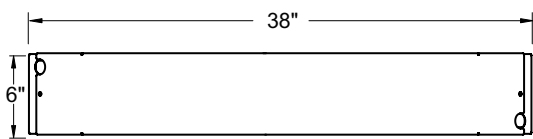
C-SMHB-4
C-SMHB-4-ED



C-SMHB-6
C-SMHB-6-ED

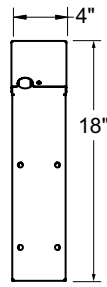


C-SMHP-4, C-SMHP-4-ED

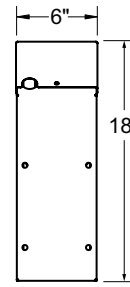


C-SMHP-6, C-SMHP-6-ED

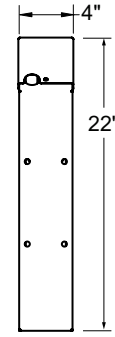
FRONT VIEWS



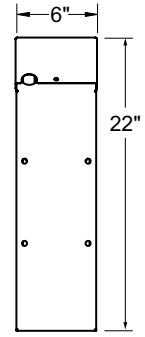
C-SMHA-4
C-SMHB-4
C-SMHP-4



C-SMHA-6
C-SMHB-6
C-SMHP-6

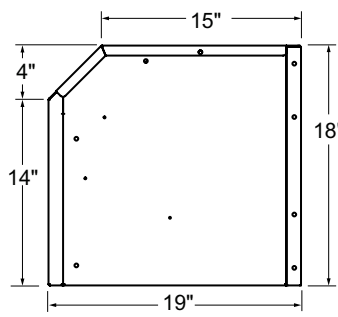


C-SMHA-4-ED
C-SMHB-4-ED
C-SMHP-4-ED

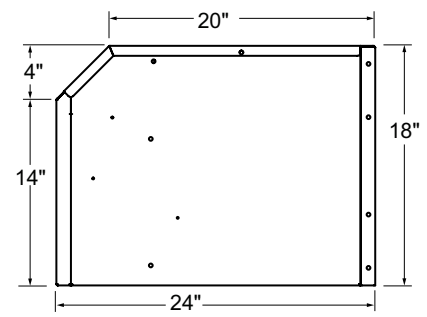


C-SMHA-6-ED
C-SMHB-6-ED
C-SMHP-6-ED

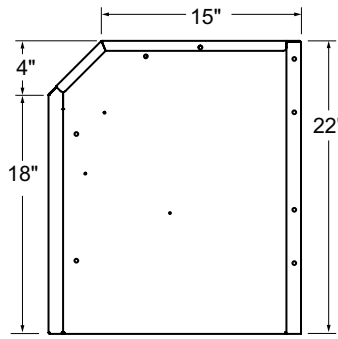
SIDE ELEVATIONS



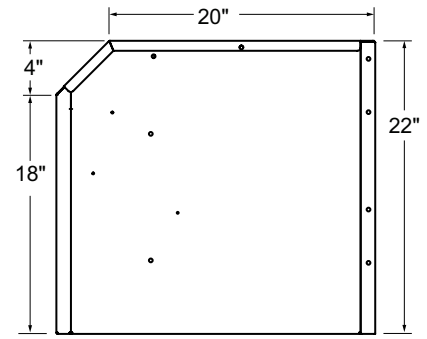
C-SMHA-4, C-SMHA-6



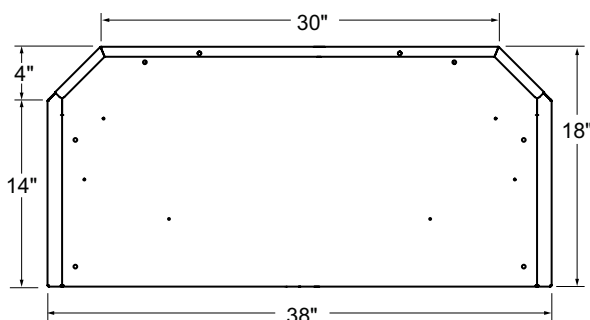
C-SMHB-4, C-SMHB-6



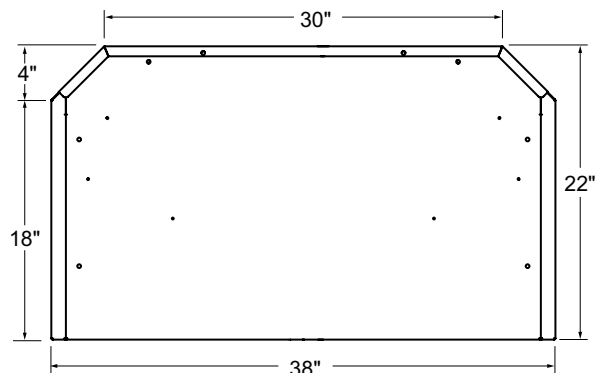
C-SMHA-4-ED, C-SMHA-6-ED



C-SMHB-4-ED, C-SMHB-6-ED



C-SMHP-4, C-SMHP-6



C-SMHP-4-ED, C-SMHP-6-ED