

| | |
|--------------------------|------------|
| Project: _____ | AIA# _____ |
| Item #: _____ Qty: _____ | SIS# _____ |
| Model #: _____ | |

Mixology Units

C-MRS-12, C-MTS-14, C-MFT-8, C-MFS-12, C-MFT-20

Standard Features

- All stainless steel
- One-piece seamless top and backsplash featuring 1/4" radius corners
- Drawn sink bowl (C-MFT-8 excluded)
- Heavy-duty, hot and cold water faucet (C-MFT-8 excluded)
- Adjustable stainless steel bullet feet (C-MFT-8 excluded)
- C-MRS-12 includes push-down rinser faucet with 6" plunger plate and lift-out perforated plastic sink strainer
- C-MTS-14 includes push-down rinser faucet with 4-1/2" plunger plate, lift-out perforated plastic sink strainer, and 6" diameter seamlessly welded draining dipper well and faucet
- C-MFT-8 includes push-down rinser faucet with 4-1/2" plunger plate, 6" diameter seamlessly welded draining dipper well and faucet, and removable 7-1/2" x 7-1/2" cutting board (NOTE: No legs – mounts to adjacent underbar)
- C-MFS-12 includes lift-out perforated plastic sink strainer and removable 8" x 11" cutting board
- C-MFT-20 includes push-down rinser faucet with 4-1/2" plunger plate, lift-out perforated plastic sink strainer, 6" diameter seamlessly welded draining dipper well and faucet, removable 8" x 11" cutting board, and ice scoop well

Specifications

Drain for sinks and dipper wells

- Drain pan models - 1/2" tailpiece

Faucet

- Backsplash mount on 4" centers, accepts 3/8" sink leads, hot and cold water connections required
- Optional foot-operated faucet: single hole, (2) 1/2" NPT female inlets and (1) 1/2" NPT female outlet.
- NSF/ANSI 61, 372 low lead compliant

Dipper Well Faucet (on C-MFT-8, C-MTS-14, & C-MFT-20 models)

- Accepts 3/8" cold water lead
- 1.4 gallons per minute

Rinser Faucet (on C-MRS-12, C-MTS-14, C-MFT-8, & C-MFT-20 models)

- Accepts 3/8" cold water lead
- 30 psi water pressure regulator included
- 1.2 gallons per minute

Sink Bowl Dimensions (C-MFT-8 excluded)

- 9-1/4" by 11-1/2" by 6" deep

Legs (C-MFT-8 has no legs, must mount to adjacent underbar)

- 1-5/8" diameter, 16 gauge stainless steel
- Stainless steel bullet feet

Materials

- 20 gauge stainless steel

⚠ WARNING: The plastic wet waste strainer included with this product can expose you to chemicals including Bisphenol A (BPA), which is known to the State of California to cause birth defects or other reproductive harm. For more information, go to www.P65Warnings.ca.gov. **Warning applies to State of California only.** Part #03000483

Configurable Options

- Foot-operated faucet; specify option FOF-B (C-MFT-8 excluded)
- Knee-operated faucet; specify option KOF-B (C-MFT-8 excluded)
- Side splashes; specify option C-LSM (left) and/or C-RSM (right) for C-MFS and C-MFT models, specify option C-LSB-D (left) and/or C-RSB-D (right) for C-MRS and C-MTS models



FOF-B
Foot-operated
faucet



KOF-B
Knee-operated
faucet

Choice installation instructions: <https://www.glastender.com/support/documents/manuals/choice-line-mounting-instructions>

Cleaning & care instructions: <https://www.glastender.com/support/documents/manuals/general-cleaning-and-care-instructions-for-stainless-steel>

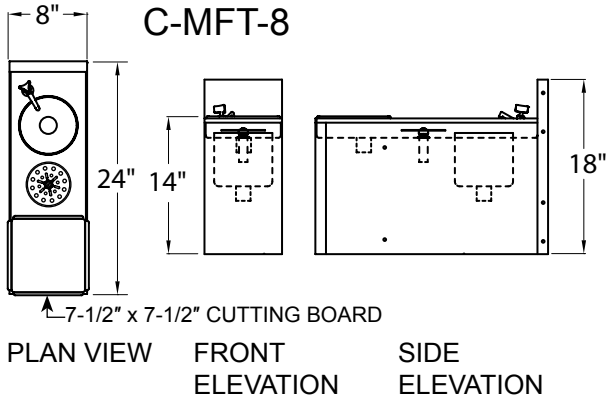
Glastender, Inc. • 5400 N Michigan Rd • Saginaw, MI • 48604-9780
989.752.4275 • 800.748.0423 • Fax 989.752.4444
www.glastender.com

Approval/Notes:

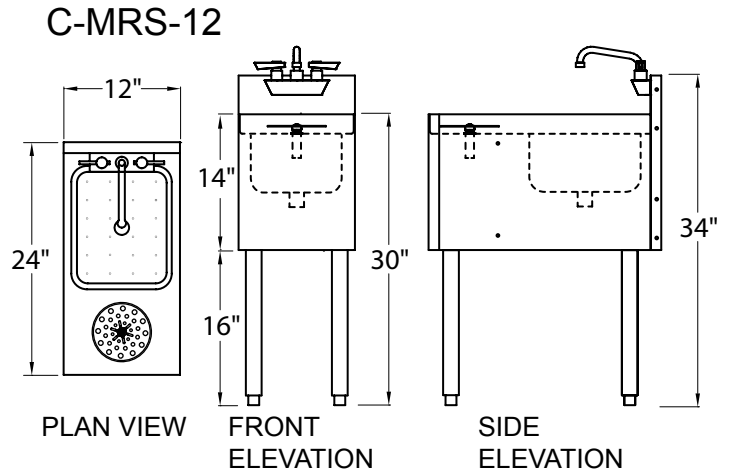
Specifications subject to change without notice. For current specifications please visit our website.

Choice Mixology Units

Drawings



NOTE: MFT-8 model has no accommodation for legs and must be mounted to at least one adjacent piece of underbar.



Rinser Faucet Installation Notes

- Unit does not provide a 1" air gap
- Must be installed with external backflow prevention to meet applicable federal, state, and local plumbing code requirements.
- Install in-line water pressure regulator (included)
- A separate shut-off valve is recommended (not included)

03012383
Rinser Faucet
Assembly



Intertek
4004503
Conforms to NSF/ANSI STD 372

