



C-IBA-36-CP10



NOTE: Ice bins intended to store potable ice must be ordered with an ice bin cover to maintain the sanitation listing.

Specifications

Drain

- Non-cold plate model: 1-1/2" tailpiece
- Ten circuit cold plate model '-CP10': 3/4" MPT

Cold Plate (models with '-CP10-ED' suffix)

- Ten circuit available with all 24" and wider models
- Connection is 5/16" O.D. stainless steel tubing with swaged end

Liner Depth

- 10-1/2"

Legs

- 1-5/8" diameter, 16 gauge stainless steel
- Stainless steel bullet feet

Materials

- 20 gauge stainless steel
- PVC plastic breaker strip around ice bin liner

Project: _____	AIA# _____
Item #: _____ Qty: _____	SIS# _____
Model #: _____	

Ice Bins

C-IB

See reverse side for model number key

Standard Features

- All stainless steel construction
- PVC plastic breaker strip around ice bin liner acts as a thermal barrier to prevent heat transfer
- 24" deep version provides larger ice bin not just a deck extension on the back of the 19" deep model
- Eco friendly foamed-in-place insulation has zero impact on global warming or ozone depletion.
- Adjustable stainless steel bullet feet
- Ten circuit available with all 24" and wider models (add suffix '-CP10' to model number)
- Backsplash is an open channel to provide access for beverage lines

Accessories

C-SR-X	Single speed rail, where X is specified as the length in inches.
C-DR-X	Double speed rail, where X is specified as the length in inches.
IBCA-X or IBCB-X	Two-piece, sliding stainless steel cover for 19" (A) or 24" (B) deep models, respectively, where X is specified as the length of the ice bin in inches. Deduct 6" from cover length for one bottle well and 12" for two bottle wells.
BW3 or BW4	3 or 4 bottle well for potable ice for 19" (A) or 24" (B) deep models, respectively. May be positioned left or right. If two are ordered, they are positioned one at each side.
BR3 or BR4	3 or 4 bottle rack for non-potable ice for 19" (A) or 24" (B) deep models, respectively. One rack may be ordered for each 6" of ice bin length. Not for use with sliding cover. Not for use with 6" ice bins.
CCD	Condiment dispenser
IBD-H-A or IBD-H-B	Ice bin divider for 19" (A) or 24" (B) deep models, respectively.

Choice installation instructions: <https://www.glastender.com/support/documents/manuals/choice-line-mounting-instructions>

Cleaning & care instructions: <https://www.glastender.com/support/documents/manuals/general-cleaning-and-care-instructions-for-stainless-steel>

Glastender, Inc. • 5400 North Michigan Road • Saginaw, MI • 48604-9780
989.752.4275 • 800.748.0423 • Fax 989.752.4444
<https://glastender.com>

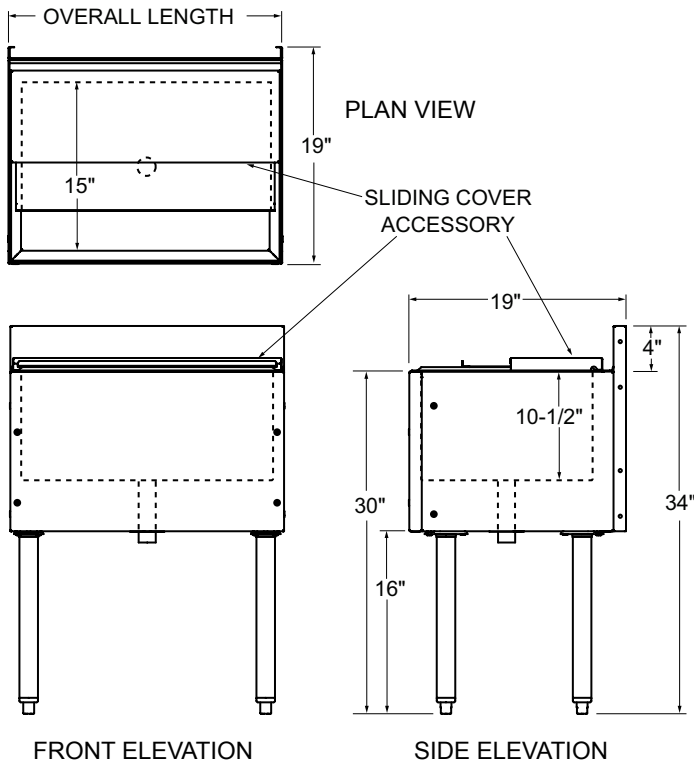
Approval/Notes:

Specifications subject to change without notice. For current specifications please visit our website.

Choice Ice Bins

Dimensional Information

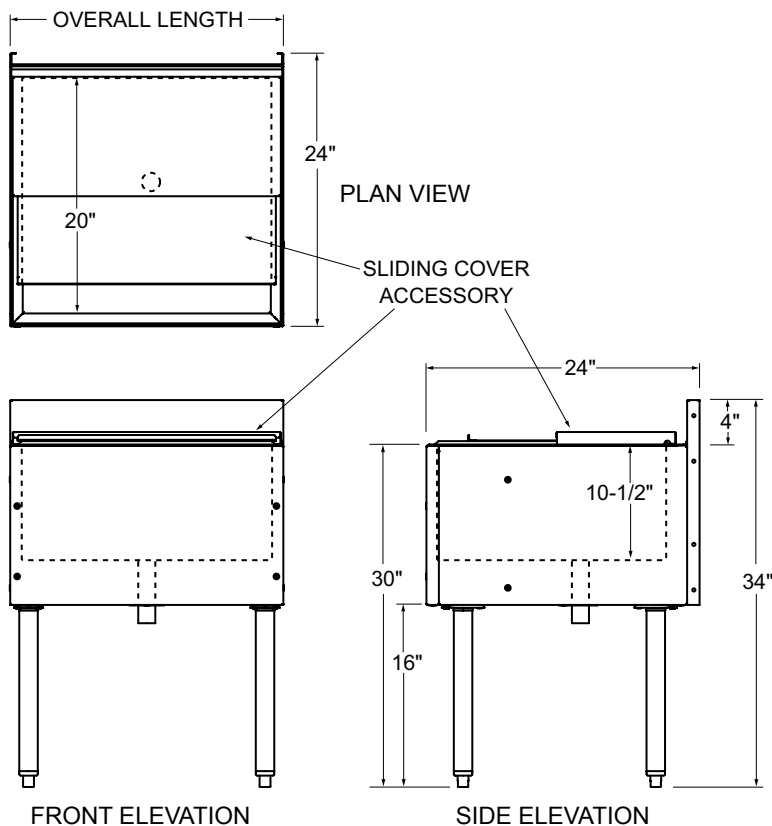
“A” Depth-19” Deep Models



Model Number	Overall Length	Ice Capacity
C-IBA-6*	6"	17 lbs
C-IBA-12	12"	33 lbs
C-IBA-18	18"	50 lbs
C-IBA-24	24"	67 lbs
C-IBA-30	30"	84 lbs
C-IBA-36	36"	100 lbs
C-IBA-42	42"	117 lbs
C-IBA-48	48"	134 lbs
With 10-Circuit Cold Plate		
C-IBA-24-CP10	24"	67 lbs
C-IBA-30-CP10	30"	84 lbs
C-IBA-36-CP10	36"	100 lbs
C-IBA-42-CP10	42"	117 lbs
C-IBA-48-CP10	48"	134 lbs

* Note: 6" unit cannot be free standing

“B” Depth-24” Deep Models



Model Number	Overall Length	Ice Capacity
C-IBB-6*	6"	21 lbs
C-IBB-12	12"	42 lbs
C-IBB-18	18"	64 lbs
C-IBB-24	24"	85 lbs
C-IBB-30	30"	106 lbs
C-IBB-36	36"	127 lbs
C-IBB-42	42"	149 lbs
C-IBB-48	48"	170 lbs
With 10-Circuit Cold Plate		
C-IBB-24-CP10	24"	85 lbs
C-IBB-30-CP10	30"	106 lbs
C-IBB-36-CP10	36"	127 lbs
C-IBB-42-CP10	42"	149 lbs
C-IBB-48-CP10	48"	170 lbs

* Note: 6" unit cannot be free standing

