

Project: _____	AIA# _____
Item #: _____ Qty: _____	SIS# _____
Model #: _____	

Open Glassracks

C-GR

C-GRA-18, C-GRA-24,
C-GRB-18, C-GRB-24

Standard Features

- Stainless steel construction
- Adjustable stainless steel bullet feet
- Full bottom floor with drain

Product Information

Glassracks are designed to hold racks of glassware stacked on top of each other. The 24" wide model holds 20" by 20" racks and the 18" wide models hold the 16" round racks used with the Glastender GT-18 glasswashers. Optional shelves are available as an accessory.



C-GRA-24



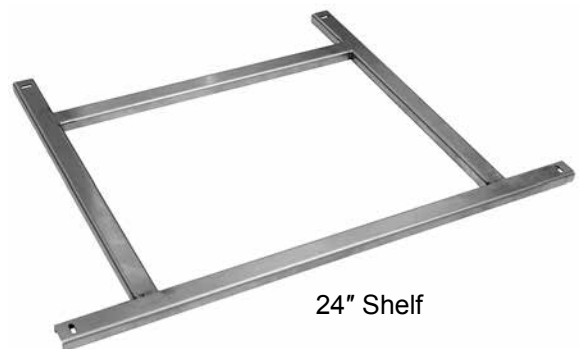
Intertek

4004503

Conforms to ANSI/NSF STD 2

Accessories

- | | |
|----------|--|
| 03013601 | Shelf kit for 18" wide model, includes two shelves and eight clips |
| 03013602 | Shelf kit for 24" wide model, includes two shelves and eight clips |



24" Shelf

Specifications

Drain

- 1-1/2" I.P.S. Threaded drain will fit Dearborn part #8033 slipnut and part #W-573P washer.

Legs

- 1-5/8" diameter, 16 gauge stainless steel
- Stainless steel bullet feet

Materials

- 20 gauge stainless steel parts include: all components unless otherwise noted
- 14 gauge stainless steel parts include: sides and optional glass rack shelves

Choice installation instructions: <https://www.glastender.com/support/documents/manuals/choice-line-mounting-instructions>

Cleaning & care instructions: <https://www.glastender.com/support/documents/manuals/general-cleaning-and-care-instructions-for-stainless-steel>

Glastender, Inc. • 5400 North Michigan Road • Saginaw, MI • 48604-9780
989.752.4275 • 800.748.0423 • Fax 989.752.4444
<https://glastender.com>

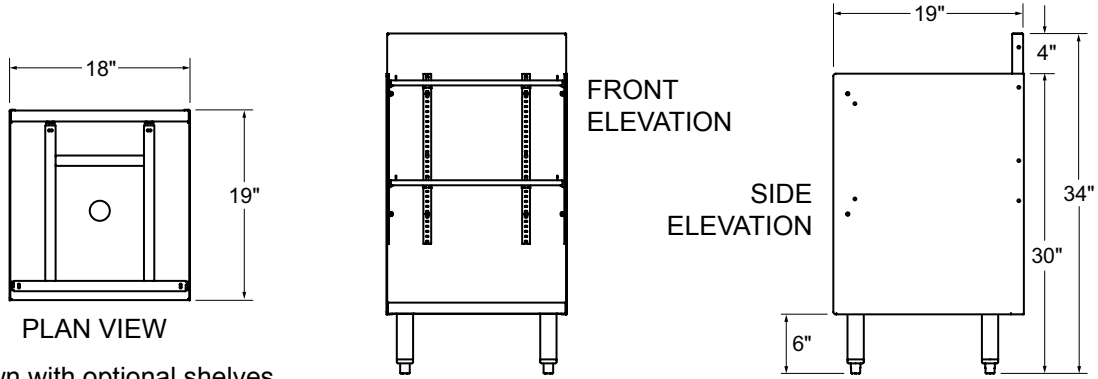
Approval/Notes:

Specifications subject to change without notice. For current specifications please visit our website.

Choice Glassracks

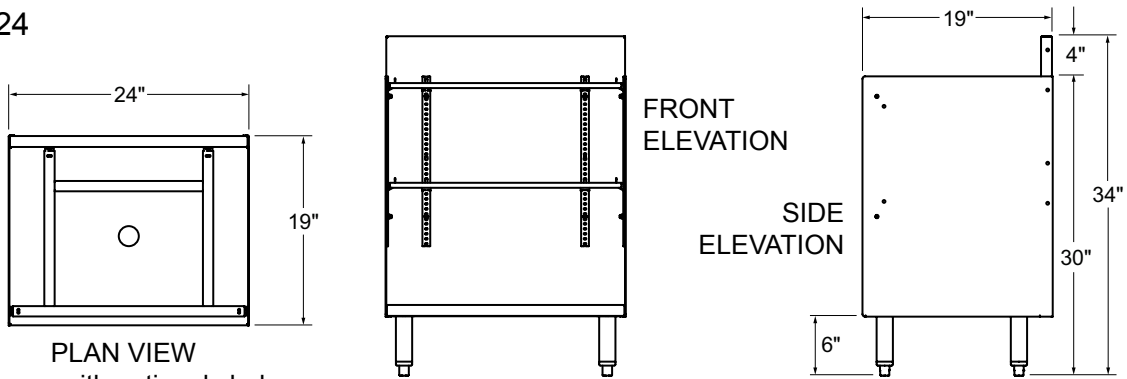
Dimensional Information

C-GRA-18



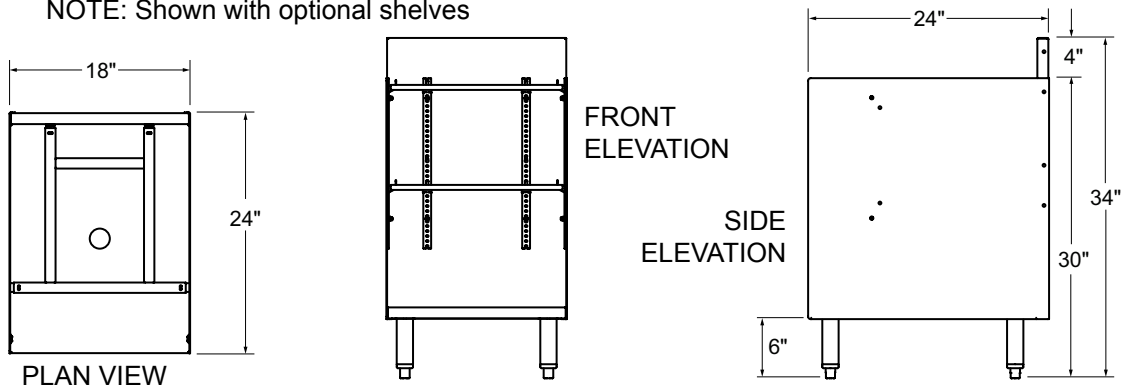
NOTE: Shown with optional shelves

C-GRA-24



NOTE: Shown with optional shelves

C-GRB-18 NOTE: Shown with optional shelves



C-GRB-24 NOTE: Shown with optional shelves

