



C-DW-15L



**Intertek**  
4004503  
Conforms to ANSI/NSF STD 2

Choice installation instructions: <https://www.glastender.com/support/documents/manuals/choice-line-mounting-instructions>  
Cleaning & care instructions: <https://www.glastender.com/support/documents/manuals/general-cleaning-and-care-instructions-for-stainless-steel>

Project: _____	AIA# _____
Item #: _____ Qty: _____	SIS# _____
Model #: _____	

## Dry Waste Chutes

Patent Pending†

**C-DW** C-DW-12, C-DW-14-C†, C-DW-15L, C-DW-15R

### Standard Features

- All stainless steel
- Lift-off top for trash receptacle removal and cleaning
- 30" high work surface
- C-DW-12 has no legs; must be bridge mounted between underbar
- C-DW-14-C† is free standing with two leg sets and hinged access door
- C-DW-15L and C-DW-15R have one leg set; must be side mounted to underbar

### Configurable Options

C-LSDW Left side splash for C-DW-14-C†

C-RSDW Right side splash C-DW-14-C†

### Accessory

03000497 Rubbermaid Slim Jim® trash receptacle

### Specifications

#### Legs (C-DW-12 excluded)

- 1-5/8" diameter, 16 gauge stainless steel
- Stainless steel bullet feet

#### Materials

- 20 gauge stainless steel parts include: all parts unless otherwise noted
- 18 gauge stainless steel parts include: top and bottom mounting channels

**Glastender, Inc.** • 5400 North Michigan Road • Saginaw, MI • 48604-9780  
989.752.4275 • 800.748.0423 • Fax 989.752.4444  
<https://glastender.com>

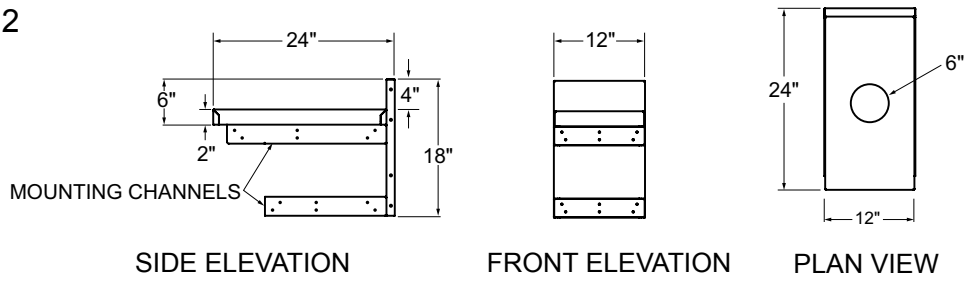
Approval/Notes:

Specifications subject to change without notice. For current specifications please visit our website.

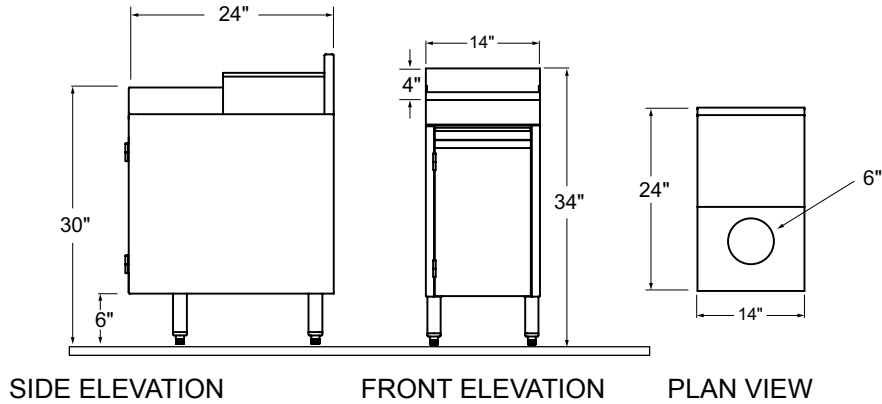
# Choice Dry Waste Chutes

## Dimensional Information

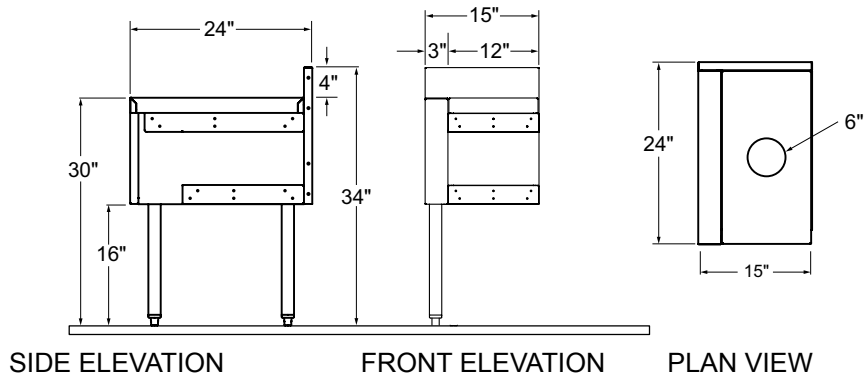
C-DW-12



C-DW-14-C†



C-DW-15L



C-DW-15R

