



C-DHSB-12



**Intertek**

4004503

Conforms to NSF/ANSI STD 2

## Specifications

### Drain

- 1-1/2" I.P.S. threaded drain will fit Dearborn part #8033 slipnut and part #W-573P washer

### Faucet

- Deck mount on 4" centers, accepts 3/8" sink leads, hot and cold water connection required
- Optional foot-operated faucet: single hole, (2) 1/2" NPT female inlets and (1) 1/2" NPT female outlet
- NSF/ANSI 61, 372 low lead compliant

### Sink Bowl Dimensions

- 9-1/4" by 11-1/2" by 6" deep

### Legs

- 1-5/8" diameter, 16 gauge stainless steel
- Stainless steel bullet feet

### Materials

- 20 gauge stainless steel parts include: all components unless otherwise noted
- 14 gauge stainless steel parts include: towel holder front



FOF-D  
Foot-operated  
faucet

Project: _____	AIA# _____
Item #: _____ Qty: _____	SIS# _____
Model #: _____	

# Door-Style Hand Sink

**C-DHS**

C-DHSB-12

## Standard Features

- All stainless steel
- Complete welded construction to meet NSF<sup>®</sup> standards
- One piece seamless top and backsplash featuring 1/4" radius corners
- Drawn sink bowl
- Adjustable stainless steel bullet feet
- Top refillable soap dispenser and front flush C-fold paper towel dispenser

## Configurable Options

- Foot-operated faucet; specify option FOF-D
- Side splashes; specify option C-LSB-D (left) and/or C-RSB-D (right)

## Accessories

- 03000483 Wet waste sink strainer
- 03000511 Wrist handles, set of two

**⚠ WARNING:** The plastic wet waste strainer included with this product can expose you to chemicals including Bisphenol A (BPA), which is known to the State of California to cause birth defects or other reproductive harm. For more information, go to [www.P65Warnings.ca.gov](http://www.P65Warnings.ca.gov). **Part #03000483**  
**Warning applies to State of California only.**

Choice installation instructions: <https://www.glastender.com/support/documents/manuals/choice-line-mounting-instructions>

Cleaning & care instructions: <https://www.glastender.com/support/documents/manuals/general-cleaning-and-care-instructions-for-stainless-steel>

Glastender, Inc. • 5400 North Michigan Road • Saginaw, MI • 48604-9780  
989.752.4275 • 800.748.0423 • Fax 989.752.4444  
[www.glastender.com](http://www.glastender.com)

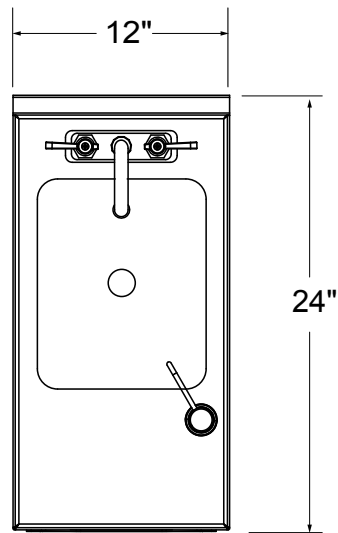
Approval/Notes:

Specifications subject to change without notice. For current specifications please visit our website.

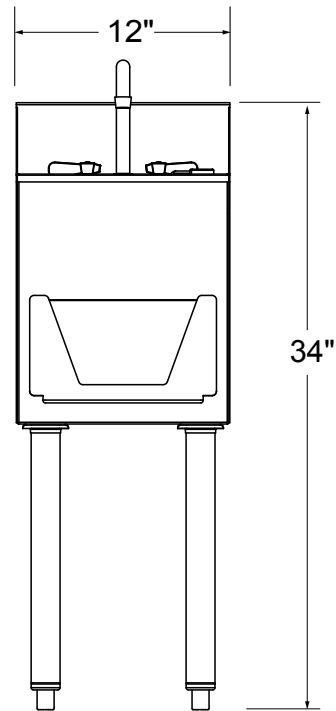
# Choice Door-Style Hand Sink

## Dimensional Information

**PLAN VIEW**



**FRONT VIEW**



**SIDE VIEW**

