



<https://choicebyglastender.com>



C-DBC-24



Specifications

Drain

- 1/2" welded tailpiece. Clear vinyl drain line is connected to the tailpiece at the factory. A 1/2" by 1/2" barbed plastic elbow is provided to make the connection at the bottom of the unit.

Legs

- 1-5/8" diameter, 16 gauge stainless steel
- Stainless steel bullet feet

Materials

- 20 gauge stainless steel

Product Information

Drainboard Cabinets have a bottom shelf and drainboard work surface. An adjustable intermediate shelf is available as an accessory. They are available with or without doors. The models with doors come with a lock standard. The 12", 18", and 24" wide models only have one door and all other models have two doors.

Choice installation instructions: <https://www.glastender.com/support/documents/manuals/choice-line-mounting-instructions>

Cleaning & care instructions: <https://www.glastender.com/support/documents/manuals/general-cleaning-and-care-instructions-for-stainless-steel>

Glastender, Inc. • 5400 North Michigan Road • Saginaw, MI • 48604-9780
989.752.4275 • 800.748.0423 • Fax 989.752.4444
<https://glastender.com>

Specifications subject to change without notice. For current specifications please visit our website.

Project: _____	AIA# _____
Item #: _____ Qty: _____	SIS# _____
Model #: _____	

Drainboard Cabinets

C-DBC

See reverse side for model number key

Standard Features

- All stainless steel construction
- Adjustable stainless steel bullet feet
- One piece seamless top and backsplash featuring 1/4" radius corners for easy cleaning
- Corrugated work surface
- Lock(s) standard on models with a door(s)
- Available without door(s) (add suffix "-LD" to model number)
- Units with a single door come hinged left, but the door is field reversible
- Plumbing connection is made underneath the unit and does not interfere with shelf or floor

Configurable Options

C-LSA-D	Left side splash for C-DBCA models
C-RSA-D	Right side splash for C-DBCA models
C-LSB-D	Left side splash for C-DBC-24 models
C-RSB-D	Right side splash for C-DBC-24 models

Accessories

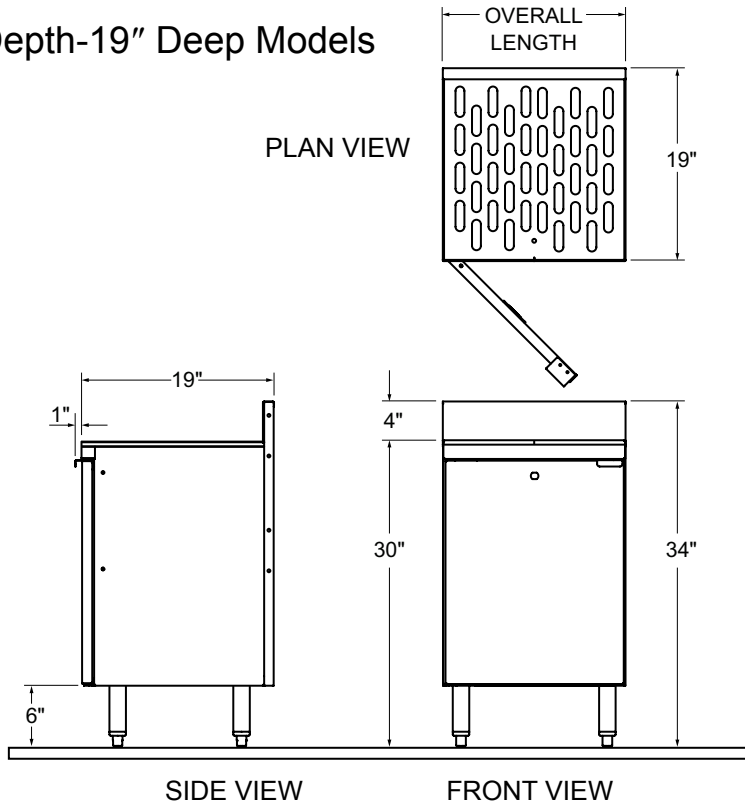
03013585	Shelf kit for C-DBCA-12
03013586	Shelf kit for C-DBCA-18
03013587	Shelf kit for C-DBCA-24
03013588	Shelf kit for C-DBCA-30
03013589	Shelf kit for C-DBCA-36
03013590	Shelf kit for C-DBCA-42
03013591	Shelf kit for C-DBCA-48
03013592	Shelf kit for C-DBC-12
03013593	Shelf kit for C-DBC-18
03013594	Shelf kit for C-DBC-24
03013595	Shelf kit for C-DBC-30
03013596	Shelf kit for C-DBC-36
03013597	Shelf kit for C-DBC-42
03013598	Shelf kit for C-DBC-48

Approval/Notes:

Choice Drainboard Cabinets

Dimensional Information

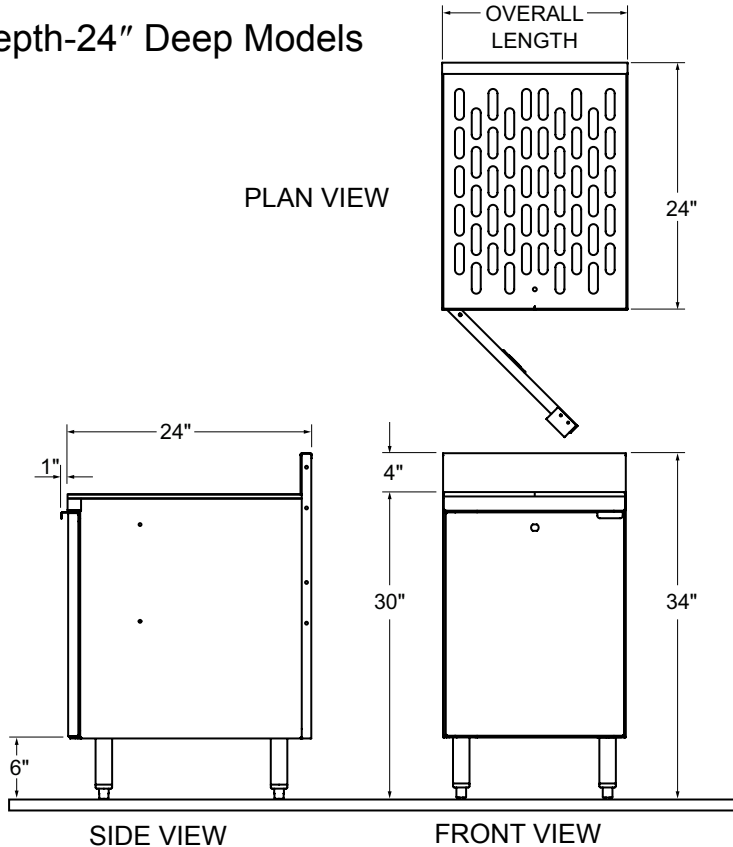
"A" Depth-19" Deep Models



Model Number	Overall Length	Number of Doors
C-DBCA-12	12"	1
C-DBCA-18	18"	1
C-DBCA-24	24"	1
C-DBCA-30	30"	2
C-DBCA-36	36"	2
C-DBCA-42	42"	2
C-DBCA-48	48"	2

Note: To order unit without door(s), specify the suffix "-LD" in the model number.

"B" Depth-24" Deep Models



Model Number	Overall Length	Number of Doors
C-DBCB-12	12"	1
C-DBCB-18	18"	1
C-DBCB-24	24"	1
C-DBCB-30	30"	2
C-DBCB-36	36"	2
C-DBCB-42	42"	2
C-DBCB-48	48"	2

Note: To order unit without door(s), specify the suffix "-LD" in the model number.