



C-BSA-12



**Intertek**  
4004503

Conforms to NSF/ANSI STD 2  
Certified to CSA STD B45.4

## Specifications

### Drain

- 1-1/2" I.P.S. Threaded drain will fit Dearborn part #8033 slipnut and part #W-573P washer.

### Faucet

- Deck mounted on 4" centers, accepts 3/8" sink leads, hot and cold water connections required (C-BSA-12 excluded)
- Backsplash mounted on 4" centers, hot and cold water connections required (C-BSA-12 only)
- Optional foot-operated faucet on C-BSA-12: single hole, (2) 1/2" NPT female inlets and (1) 1/2" NPT female outlet
- NSF/ANSI 61, 372 low lead compliant

### Sink Bowl Dimensions

- 9-1/4" by 11-1/2" by 6" deep

### Legs

- 1-5/8" diameter, 16 gauge stainless steel
- Stainless steel bullet feet

### Materials

- 20 gauge stainless steel

Choice installation instructions: <https://www.glastender.com/support/documents/manuals/choice-line-mounting-instructions>

Cleaning & care instructions: <https://www.glastender.com/support/documents/manuals/general-cleaning-and-care-instructions-for-stainless-steel>

**Glastender, Inc.** • 5400 North Michigan Road • Saginaw, MI • 48604-9780  
989.752.4275 • 800.748.0423 • Fax 989.752.4444  
<https://glastender.com>

Specifications subject to change without notice. For current specifications please visit our website.

Project: _____	AIA# _____
Item #: _____ Qty: _____	SIS# _____
Model #: _____	

## Blender Stations

<b>C-BS</b>	C-BSA-12, C-BSA-14, C-BSA-18L, C-BSA-18R, C-BSB-12, C-BSB-14, C-BSB-18
-------------	--

### Standard Features

- All stainless steel
- One-piece seamless top and backsplash
- Drawn sink bowl
- Heavy-duty, hot and cold water faucet
- Blender shelf with radius interior corners
- Power cord access hole with grommet on front skirt
- Junction box for duplex GFI outlet underneath blender shelf (outlet not included)
- Adjustable stainless steel bullet feet

### Configurable Options

C-LS15-F	Left side splash for C-BSA models
C-RS15-F	Right side splash for C-BSA models
C-LSA-F	Left side splash for C-BSB models
C-RSA-F	Right side splash for C-BSB models
FOF-B	Foot-operated faucet for C-BSA-12 only
FOF-D	Foot-operated faucet excluding C-BSA-12



FOF-B  
Foot-operated faucet



FOF-D  
Foot-operated faucet

### Accessories

03000483	Lift-out perforated plastic wet waste strainer
TR	Towel ring

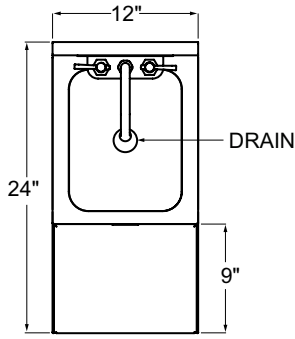
**NOTE:** Blender stations cannot have a speed rail mounted to them. Since speed rails are so common on underbar, blender stations in 24" and 29" depths to align with underbar that has a speed rail.

**⚠ WARNING:** The plastic wet waste strainer included with this product can expose you to chemicals including Bisphenol A (BPA), which is known to the State of California to cause birth defects or other reproductive harm. For more information, go to [www.P65Warnings.ca.gov](http://www.P65Warnings.ca.gov).  
**Warning applies to State of California only.** Part #03000483

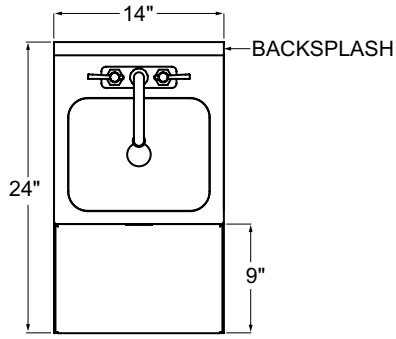
Approval/Notes:

# Choice Blender Stations

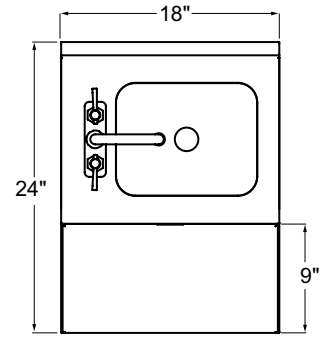
## Dimensional Information



C-BSA-12

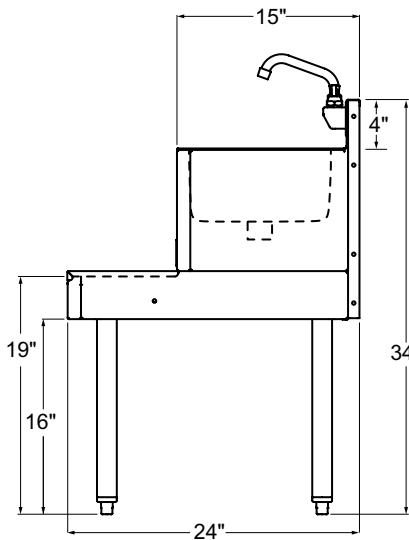


C-BSA-14



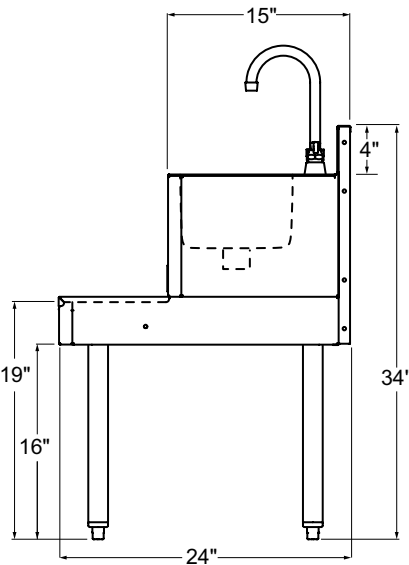
C-BSA-18L

PLAN VIEWS



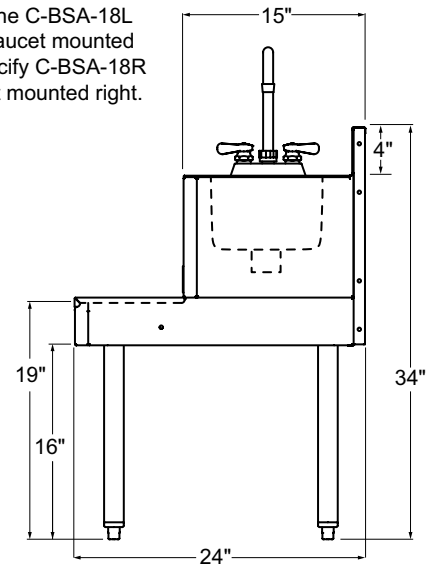
C-BSA-12

SIDE ELEVATIONS

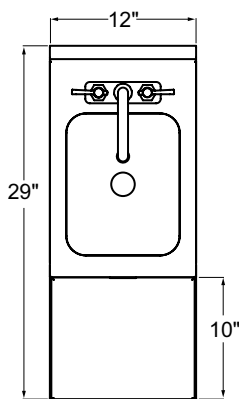


C-BSA-14

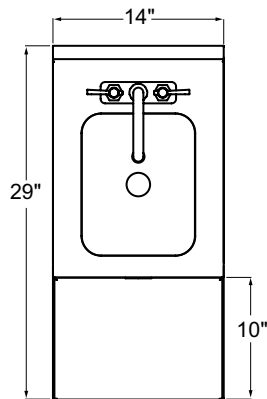
NOTE: The C-BSA-18L has the faucet mounted Left. Specify C-BSA-18R for faucet mounted right.



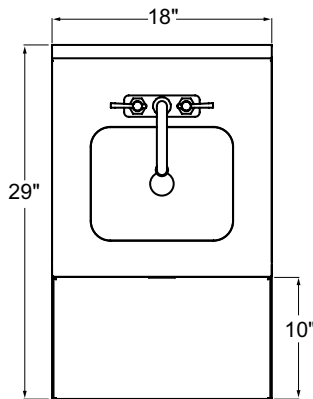
C-BSA-18L



C-BSB-12

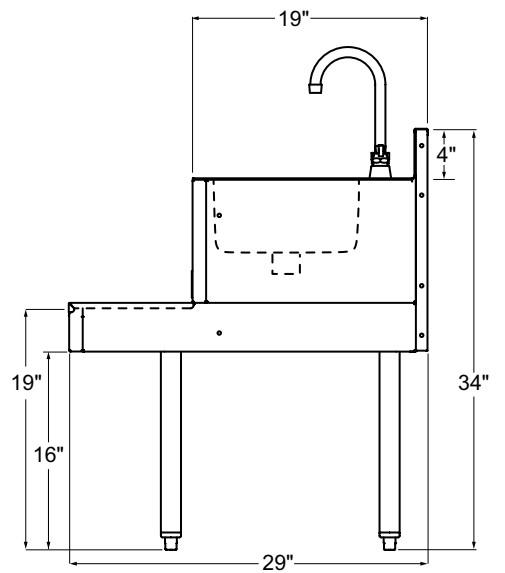


C-BSB-14



C-BSB-18

PLAN VIEWS



C-BSB-12, C-BSB-14, C-BSB-18  
SIDE ELEVATION

