



WB-6-N
(handles not included)

NOTE: To convert standard faucet to stout style faucet, specify accessory model number BT-CFG and add \$270 List per faucet.

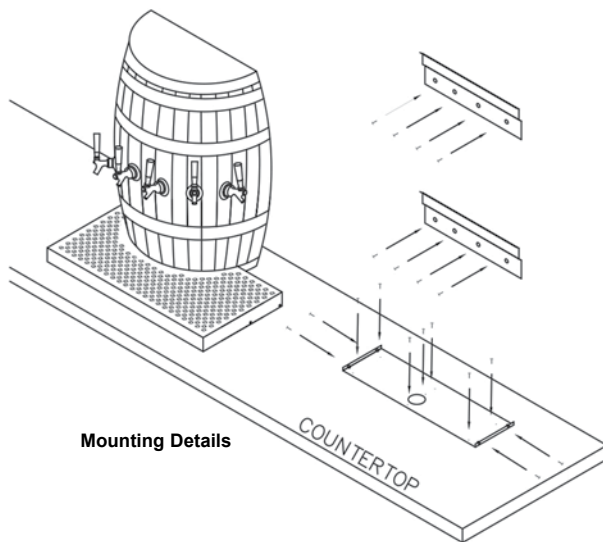
PRODUCT INFORMATION

(see WB Spec Sheet for complete details)

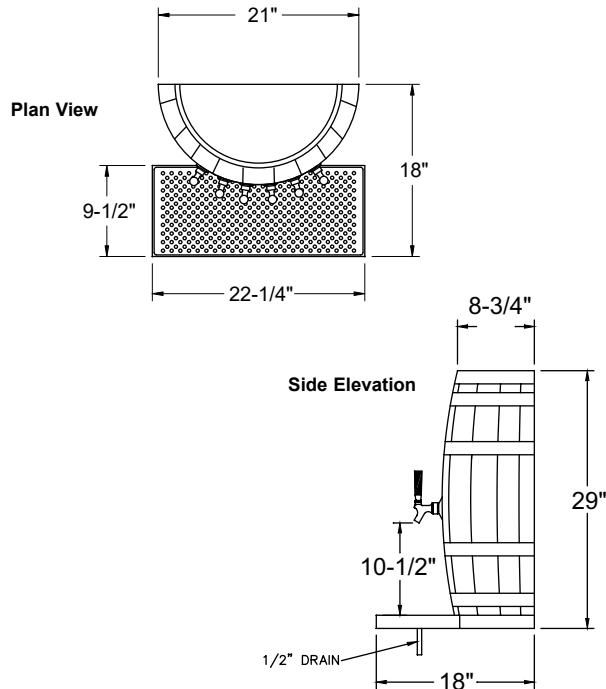
STANDARD FEATURES

- Oak wood barrel construction
- Includes separate 300 series stainless steel surface mount drain pan with lift-out perforated inserts
- 1/4" shanks with 3/16" restriction lines
- Available in flat black or natural unfinished
- Available with cold plate assembly and insulated restriction lines for glycol recirculating system (specify suffix 'R' in the model number)
- Available in three through six faucet models
- Includes wall mounting brackets
- All stainless steel faucets and shanks to resist corrosion and prevent metallic leaching, making them ideal for both draft beer and wine applications

*NOTE: Wood Barrel Towers are manufactured to order and are not returnable



Mounting Details



Beverage Dispensing

WOOD BARREL TOWERS WITH DRAIN PAN AND 72" RESTRICTION LINES

FLAT BLACK	LIST	NATURAL WOOD	LIST	# OF FAUCETS	WGT
WB-3-B	\$3,748	WB-3-N	\$3,748	3	85#
WB-3-BR	\$4,628	WB-3-NR	\$4,628	3	85#
WB-4-B	\$4,032	WB-4-N	\$4,032	4	90#
WB-4-BR	\$5,005	WB-4-NR	\$5,005	4	90#
WB-5-B	\$4,350	WB-5-N	\$4,350	5	95#
WB-5-BR	\$5,415	WB-5-NR	\$5,415	5	95#
WB-6-B	\$4,633	WB-6-N	\$4,633	6	100#
WB-6-BR	\$5,798	WB-6-NR	\$5,798	6	100#