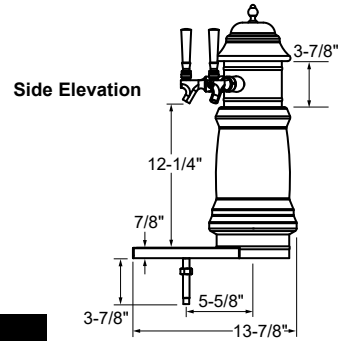
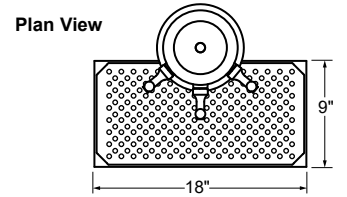




NOTE: To convert standard faucet to stout style faucet, specify accessory model number BT-CFG and add \$270 List per faucet.

*NOTE: Rembrandt Towers are manufactured to order and are not returnable.
 **NOTE: Brass finish towers provided with mirror finish drain pan and brass finish perforated insert

RCT-2-PB
 (handles not included)



REMBRANDT TOWERS WITH DRAIN PAN AND 7/2" RESTRICTION LINES

MIRROR FINISH		POLISHED BRASS FINISH**		FAUCETS	WGT	WIDTH	SYSTEM TYPE
MODEL	LIST	MODEL	LIST				
RCT-2-MF	\$6,683	RCT-2-PB	\$6,758	2	48#	18"	Air Cooled
RCT-2-MFR	\$6,807	RCT-2-PBR	\$6,881	2	48#	18"	Glycol
RCT-3-MF	\$7,556	RCT-3-PB	\$7,651	3	48#	18"	Air Cooled
RCT-3-MFR	\$7,663	RCT-3-PBR	\$7,758	3	48#	18"	Glycol

PRODUCT INFORMATION (see RCT Spec Sheet for complete details)

STANDARD FEATURES

- 1/4" stainless steel shanks with 3/16" restriction lines
- All stainless steel faucets
- Surface-mount, stainless steel drain pan with removable, perforated insert

Configurable Options

- 2 or 3 faucets
- Mirror or polished brass finish
- Air cooled for direct-draw system or glycol cooled for recirculating system
- Numerous ceramic color finishes; consult factory for details
- Rinser faucet extension to the left or right of the drain pan; specify RFE option

RINSER FAUCET EXTENSION

Rembrandt tower drain pans can be manufactured with rinser faucet extensions to the left or right of the drain pan. A rinser faucet extension will add 5" to the overall length of the drain pan. Add the RFE upcharge when placing your order.

NOTE: Rinser faucets not intended for use with towers mounted to a refrigerator due to risk of water line freeze up.

Rinser faucet installation notes:

- Unit does not provide a 1" air gap.
- Must be installed with external backflow prevention to meet applicable federal, state, and local plumbing code requirements.
- Install in-line water pressure regulator (included).
- A separate shut-off valve is recommended (not included).

MODEL	DESCRIPTION	LIST
RFE	Rinser faucet extension	\$762



Beverage Dispensing