

PW-12-SS
(handles not included)



NOTE: To convert standard faucet to stout style faucet, specify accessory model number BT-CFG and add \$270 List per faucet.

*NOTE: Pipe Wall Towers are manufactured to order and are not returnable.

PIPE WALL TOWERS WITH DRAIN PAN

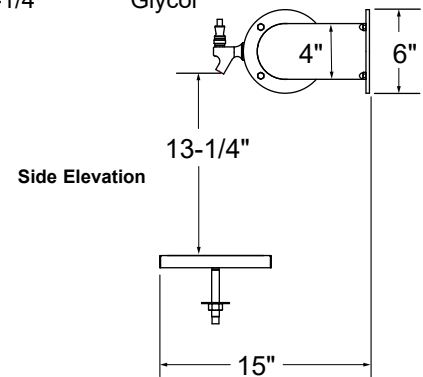
GRAINLINE FINISH		MIRROR FINISH		FAUCETS	WGT	WIDTH	SYSTEM TYPE
MODEL	LIST	MODEL	LIST				
PW-4-SS	\$5,807	PW-4-MF	\$6,741	4	33#	31-1/4"	Air Cooled
PW-4-SSR	\$5,743	PW-4-MFR	\$6,678	4	33#	31-1/4"	Glycol
PW-6-SS	\$6,668	PW-6-MF	\$7,629	6	39#	37-1/4"	Air Cooled
PW-6-SSR	\$6,578	PW-6-MFR	\$7,539	6	39#	37-1/4"	Glycol
PW-8-SS	\$7,522	PW-8-MF	\$8,517	8	44#	43-1/4"	Air Cooled
PW-8-SSR	\$7,388	PW-8-MFR	\$8,384	8	44#	43-1/4"	Glycol
PW-10-SS	\$8,560	PW-10-MF	\$9,582	10	51#	49-1/4"	Air Cooled
PW-10-SSR	\$8,418	PW-10-MFR	\$9,441	10	51#	49-1/4"	Glycol
PW-12-SS	\$9,419	PW-12-MF	\$10,473	12	56#	55-1/4"	Air Cooled
PW-12-SSR	\$9,253	PW-12-MFR	\$10,306	12	56#	55-1/4"	Glycol
PW-14-SS	\$10,291	PW-14-MF	\$11,369	14	62#	61-1/4"	Air Cooled
PW-14-SSR	\$10,059	PW-14-MFR	\$11,137	14	62#	61-1/4"	Glycol
PW-16-SS	\$11,181	PW-16-MF	\$12,287	16	68#	67-1/4"	Air Cooled
PW-16-SSR	\$10,925	PW-16-MFR	\$12,031	16	68#	67-1/4"	Glycol

PRODUCT INFORMATION

(see PW Spec Sheet for complete details)

STANDARD FEATURES

- All stainless steel construction
- Includes surface mount drain pan with lift-out perforated inserts
- 1/4" shanks with 3/16" restriction lines
- Available in grainline finish or mirror finish
- Air cooled for direct-draw system or glycol cooled for recirculating system
- Available in 4, 6, 8, 10, 12, 14, and 16 faucet sizes
- All models include all stainless steel faucets and shanks to resist corrosion and prevent metallic leaching, making them ideal for both draft beer and wine applications



RINSER FAUCET EXTENSION

Pipe Wall Tower drain pans can be manufactured with rinser faucet extensions to the left, right, or both sides of the drain pan. A rinser faucet extension will add to the overall length of the drain pan. Add the appropriate RFE upcharge when placing your order.

NOTE: Rinsers faucets not intended for use with towers mounted to a refrigerator due to risk of water line freeze up.

Rinsers faucet installation notes:

- Unit does not provide a 1" air gap.
- Must be installed with external backflow prevention to meet applicable federal, state, and local plumbing code requirements.
- Install in-line water pressure regulator (included).
- A separate shut-off valve is recommended (not included).

MODEL	DESCRIPTION	LIST
RFE	Rinsers faucet extension	\$762

