

NOTE: To convert standard faucet to stout style faucet, specify accessory model number BT-CFG and add \$270 List per faucet.

\*NOTE: Pipe Tee Towers are manufactured to order and are not returnable.

**PIPE TEE TOWERS WITH DRAIN PANS**

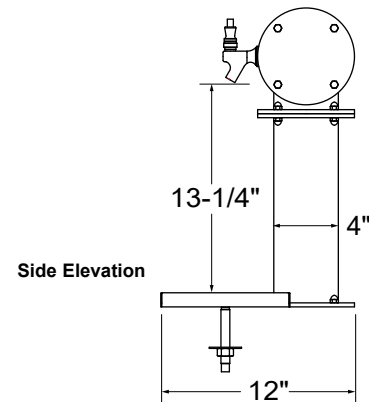
GRAINLINE FINISH		MIRROR FINISH		FAUCETS	WGT	WIDTH	SYSTEM TYPE
MODEL	LIST	MODEL	LIST				
PT-6-SS	\$8,132	PT-6-MF	\$8,671	6	45#	28-3/4"	Air Cooled
PT-6-SSR	\$8,036	PT-6-MFR	\$8,575	6	45#	28-3/4"	Glycol
PT-8-SS	\$8,989	PT-8-MF	\$9,543	8	51#	39-3/4"	Air Cooled
PT-8-SSR	\$8,870	PT-8-MFR	\$9,423	8	51#	39-3/4"	Glycol
PT-10-SS	\$9,843	PT-10-MF	\$10,445	10	56#	45-3/4"	Air Cooled
PT-10-SSR	\$9,697	PT-10-MFR	\$10,298	10	56#	45-3/4"	Glycol
PT-12-SS	\$10,702	PT-12-MF	\$11,328	12	62#	51-3/4"	Air Cooled
PT-12-SSR	\$10,530	PT-12-MFR	\$11,156	12	62#	51-3/4"	Glycol
PT-14-SS	\$11,587	PT-14-MF	\$12,243	14	68#	57-3/4"	Air Cooled
PT-14-SSR	\$11,380	PT-14-MFR	\$12,037	14	68#	57-3/4"	Glycol
PT-16-SS	\$12,445	PT-16-MF	\$13,134	16	73#	63-3/4"	Air Cooled
PT-16-SSR	\$12,216	PT-16-MFR	\$12,904	16	73#	63-3/4"	Glycol

**PRODUCT INFORMATION**

(see PT Spec Sheet for complete details)

**STANDARD FEATURES**

- All stainless steel construction
- Includes surface mount drain pans with lift-out perforated inserts
- 1/4" shanks with 3/16" restriction lines
- Available in grainline finish or mirror finish
- Air cooled for direct-draw system or glycol cooled for recirculating system
- Available in 6, 8, 10, 12, 14, and 16 faucet sizes
- All models include all stainless steel faucets and shanks to resist corrosion and prevent metallic leaching, making them ideal for both draft beer and wine applications



**RINSER FAUCET EXTENSION**

Pipe Tee Tower rinser faucet extension drain pans are manufactured to position the rinser faucet at the center of the tower. Add the appropriate RFE upcharge when placing your order.

NOTE: Rinsers faucets not intended for use with towers mounted to a refrigerator due to risk of water line freeze up.

Rinsers faucet installation notes:

- Unit does not provide a 1" air gap.
- Must be installed with external backflow prevention to meet applicable federal, state, and local plumbing code requirements.
- Install in-line water pressure regulator (included).
- A separate shut-off valve is recommended (not included).

MODEL	DESCRIPTION	LIST
RFE	Rinsers faucet extension	\$762



Beverage Dispensing