



PB-14-SS
(handles not included)

NOTE: To convert standard faucet to stout style faucet, specify accessory model number BT-CFG and add \$270 List per faucet.

*NOTE: Pipe Bridge Towers are manufactured to order and are not returnable.

PIPE BRIDGE TOWERS WITH DRAIN PANS

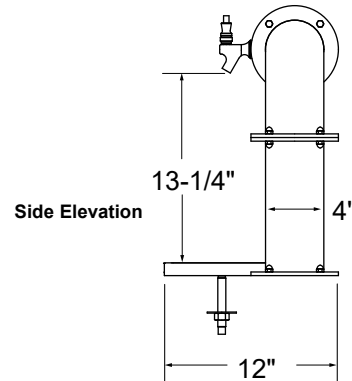
GRAINLINE FINISH		MIRROR FINISH		FAUCETS	WGT	WIDTH	SYSTEM TYPE
MODEL	LIST	MODEL	LIST				
PB-6-SS	\$11,296	PB-6-MF	\$12,701	6	63#	45-1/4"	Air Cooled
PB-6-SSR	\$11,152	PB-6-MFR	\$12,558	6	63#	45-1/4"	Glycol
PB-8-SS	\$12,156	PB-8-MF	\$13,589	8	68#	51-1/4"	Air Cooled
PB-8-SSR	\$11,989	PB-8-MFR	\$13,421	8	68#	51-1/4"	Glycol
PB-10-SS	\$13,010	PB-10-MF	\$14,475	10	74#	57-1/4"	Air Cooled
PB-10-SSR	\$12,815	PB-10-MFR	\$14,280	10	74#	57-1/4"	Glycol
PB-12-SS	\$13,865	PB-12-MF	\$15,358	12	80#	63-1/4"	Air Cooled
PB-12-SSR	\$13,646	PB-12-MFR	\$15,138	12	80#	63-1/4"	Glycol
PB-14-SS	\$14,750	PB-14-MF	\$16,273	14	85#	69-1/4"	Air Cooled
PB-14-SSR	\$14,496	PB-14-MFR	\$16,019	14	85#	69-1/4"	Glycol
PB-16-SS	\$15,612	PB-16-MF	\$17,167	16	91#	75-1/4"	Air Cooled
PB-16-SSR	\$15,335	PB-16-MFR	\$16,890	16	91#	75-1/4"	Glycol

PRODUCT INFORMATION

(see PB Spec Sheet for complete details)

STANDARD FEATURES

- All stainless steel construction
- Includes surface mount drain pans with lift-out perforated inserts
- 1/4" shanks with 3/16" restriction lines
- Available in grainline finish or mirror finish
- Air cooled for direct-draw system or glycol cooled for recirculating system
- Available in 6, 8, 10, 12, 14, and 16 faucet sizes
- All models include all stainless steel faucets and shanks to resist corrosion and prevent metallic leaching, making them ideal for both draft beer and wine applications



RINSER FAUCET EXTENSION

Pipe Bridge Tower rinser faucet extension drain pans are manufactured to position the rinser faucet at the center of the tower. Add the appropriate RFE upcharge when placing your order.

NOTE: Rinser faucets not intended for use with towers mounted to a refrigerator due to risk of water line freeze up.

Rinser faucet installation notes:

- Unit does not provide a 1" air gap.
- Must be installed with external backflow prevention to meet applicable federal, state, and local plumbing code requirements.
- Install in-line water pressure regulator (included).
- A separate shut-off valve is recommended (not included).

MODEL	DESCRIPTION	LIST
RFE	Rinser faucet extension	\$762

