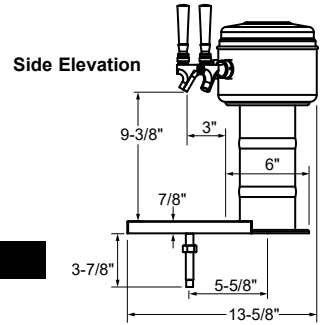
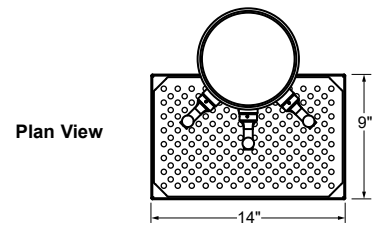


NOTE: To convert standard faucet to stout style faucet, specify accessory model number BT-CFG and add \$270 List per faucet.

*NOTE: Mini Mushroom Towers are manufactured to order and are not returnable.
 **NOTE: Brass finish towers provided with mirror finish drain pan and brass finish perforated insert

MMT-4-MF
 (handles not included)



MINI MUSHROOM TOWERS WITH DRAIN PAN AND 72" RESTRICTION LINES

| MIRROR FINISH | | POLISHED BRASS FINISH** | | FAUCETS | WGT | WIDTH | SYSTEM TYPE |
|---------------|---------|-------------------------|---------|---------|-----|-------|-------------|
| MODEL | LIST | MODEL | LIST | | | | |
| MMT-3-MF | \$5,417 | MMT-3-PB | \$5,971 | 3 | 26# | 14" | Air Cooled |
| MMT-3-MFR | \$6,361 | MMT-3-PBR | \$6,546 | 3 | 26# | 14" | Glycol |
| MMT-4-MF | \$5,878 | MMT-4-PB | \$6,298 | 4 | 26# | 14" | Air Cooled |
| MMT-4-MFR | \$6,216 | MMT-4-PBR | \$6,760 | 4 | 26# | 14" | Glycol |
| MMT-5-MF | \$6,263 | MMT-5-PB | \$6,758 | 5 | 26# | 14" | Air Cooled |
| MMT-5-MFR | \$6,679 | MMT-5-PBR | \$7,382 | 5 | 26# | 14" | Glycol |

PRODUCT INFORMATION (see MMT Spec Sheet for complete details)

STANDARD FEATURES

- 1/4" stainless steel shanks with 3/16" restriction lines
- All stainless steel faucets
- Surface-mount, stainless steel drain pan with removable, perforated insert

Configurable Options

- 3, 4, or 5 faucets
- Mirror or polished brass finish
- Air cooled for direct-draw system or glycol cooled for recirculating system
- Rinser faucet extension to the left or right of the drain pan; specify RFE option

RINSER FAUCET EXTENSION

Mini Mushroom tower drain pans can be manufactured with rinser faucet extensions to the left or right of the drain pan. A rinser faucet extension will add 5" to the overall length of the drain pan. Add the RFE upcharge when placing your order.

NOTE: Rinser faucets not intended for use with towers mounted to a refrigerator due to risk of water line freeze up.

Rinser faucet installation notes:

- Unit does not provide a 1" air gap.
- Must be installed with external backflow prevention to meet applicable federal, state, and local plumbing code requirements.
- Install in-line water pressure regulator (included).
- A separate shut-off valve is recommended (not included).

| MODEL | DESCRIPTION | LIST |
|-------|-------------------------|-------|
| RFE | Rinser faucet extension | \$762 |

