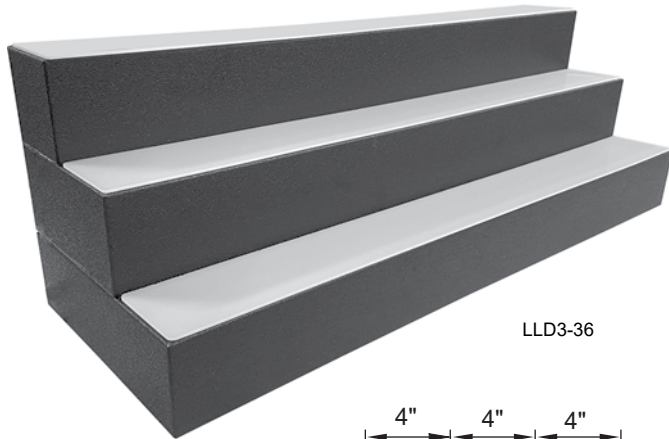
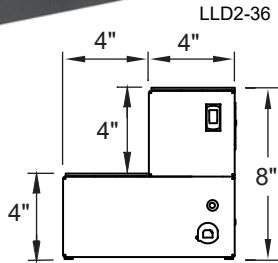
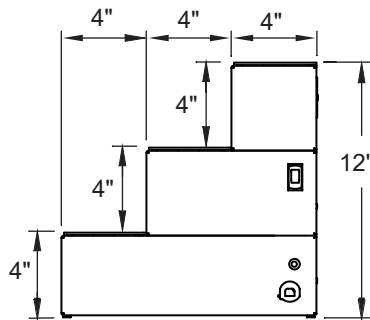


SIDE VIEW - LLD2
(if power cord right)



SIDE VIEW - LLD3
(if power cord right)



TWO TIER LIGHTED LIQUOR DISPLAYS

MODEL	LIST	LENGTH	WEIGHT
LLD2-24	\$1,068	24"	25#
LLD2-30	\$1,191	30"	29#
LLD2-36	\$1,303	36"	33#
LLD2-42	\$1,415	42"	37#
LLD2-48	\$1,536	48"	41#
LLD2-54	\$1,680	54"	45#
LLD2-60	\$1,792	60"	58#

Base price only. See below for configurable options.

THREE TIER LIGHTED LIQUOR DISPLAYS

MODEL	LIST	LENGTH	WEIGHT
LLD3-24	\$1,496	24"	30#
LLD3-30	\$1,684	30"	35#
LLD3-36	\$1,852	36"	40#
LLD3-42	\$2,020	42"	44#
LLD3-48	\$2,198	48"	49#
LLD3-54	\$2,420	54"	54#
LLD3-60	\$2,587	60"	70#

Base price only. See below for configurable options.

PRODUCT INFORMATION

(see LLD Spec Sheet for complete details)

STANDARD FEATURES: Provides illuminated, stepped liquor bottle storage and display • Black vinyl-clad or stainless steel exterior • On/off switch and 6-foot grounded cord and plug • Includes LED light strips • LED lighting style available as bright white, warm white, or adjustable multi-color • Opaque acrylic step cover

ELECTRICAL: 100-240 VAC, 1 phase, 50/60Hz, less than 2 full load amps • Includes on/off switch and 6-foot grounded cord and plug

*NOTE: Lighted Liquor Displays are manufactured to order and are not returnable

Bar Refrigeration

Select Configurable Options:

POWER CORD STYLE

Type B - NEMA 5-15P (Default - North America)	No charge
Type F (Europe)	No charge
Type M (India)	No charge

POWER CORD LOCATION

Left	No charge
Right	No charge

EXTERIOR FINISH

Black vinyl-clad	No charge
Stainless steel	\$63

LED LIGHTING

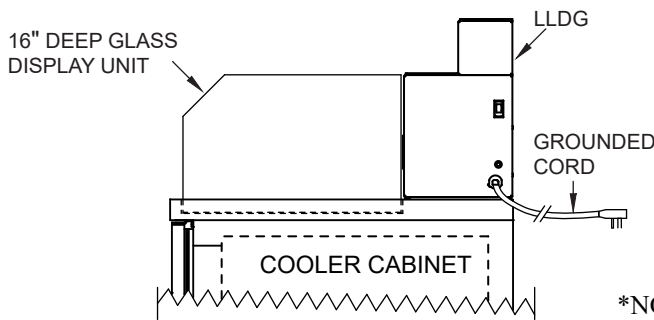
Bright white	No charge
Warm white	No charge
Adjustable multi-color	\$235



LLDG-48 shown installed with a GDU-16x48 factory mounted on cooler cabinet



LLDG-36



SIDE VIEW OF LLDG
(with factory installed 16" deep glass ice display unit)

*NOTE: Lighted Liquor Displays are manufactured to order and are not returnable

LLDG model Lighted Liquor Displays are specifically designed for use with Glastender Glass Ice Display Units (see page 115). When mounted on a cooler at the factory, the 16" deep GDU models have an 8-1/4" rear deck space designed to fit the 8" deep LLDG. The 9-1/4" high first step of the LLDG raises the bottles above the back of the GDU. Also, the LLDG has a front light channel to help illuminate the GDU. (See the side view detail.)

GLASS ICE DISPLAY UNIT LIGHTED LIQUOR DISPLAYS

MODEL	LIST	LENGTH	WEIGHT
LLDG-24	\$1,578	24"	25#
LLDG-30	\$1,761	30"	29#
LLDG-36	\$1,923	36"	33#
LLDG-42	\$2,085	42"	37#
LLDG-48	\$2,259	48"	41#
LLDG-54	\$2,476	54"	45#
LLDG-60	\$2,638	60"	58#

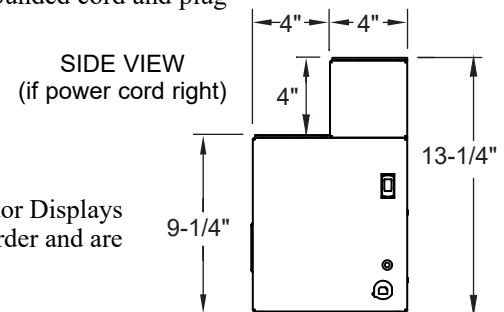
Base price only. See below for configurable options.

PRODUCT INFORMATION

(see LLD Spec Sheet for complete details)

STANDARD FEATURES: Provides illuminated, stepped liquor bottle storage and display • Black vinyl-clad or stainless steel exterior • On/off switch and 6-foot grounded cord and plug • Includes LED light strips • LED lighting style available as bright white, warm white, or adjustable multi-color • Opaque acrylic step cover • 9-1/4" high first step and a front light channel for use in conjunction with Glastender Glass Ice Display Units

ELECTRICAL: 100-240 VAC, 1 phase, 50/60Hz, less than 2 full load amps • Includes on/off switch and 6-foot grounded cord and plug



Bar Refrigeration

Select Configurable Options:

POWER CORD STYLE	
Type B - NEMA 5-15P (Default - North America)	No charge
Type F (Europe)	No charge
Type M (India)	No charge

POWER CORD LOCATION	
Left	No charge
Right	No charge

LED LIGHTING	
Bright white	No charge
Warm white	No charge
Adjustable multi-color	\$235

EXTERIOR FINISH	
Black vinyl-clad	No charge
Stainless steel	\$63