



DWB-12 shown in an installation setting with optional trash receptacle



DWB-15L shown in an installation setting with optional trash receptacle



DWB-14-C† shown with optional trash receptacle

PRODUCT INFORMATION

(see DW Spec Sheet for complete details)

There are four different Dry Waste Chute models to meet various installation requirements.

STANDARD FEATURES

- Lift-up top for emptying the trash receptacle
- Completely removable top for thorough cleaning
- The DWB-12 mounts between two adjacent pieces of Glastender main line underbar and has no legs
- The DWB-15L and DWB-15R include a single leg set and mount to an adjacent piece of Glastender main line underbar
- The DWB-14-C† is freestanding
- All models are designed to house a Rubbermaid Slim Jim® trash receptacle

† Patent Pending

24" DEEP DRY WASTE CHUTES

MODEL	LIST	LEG POSITION	LENGTH	WEIGHT
DWB-12	\$1,018	N/A	12"	30#
DWB-14-C†	\$2,585	N/A	14"	64#
DWB-15L	\$1,607	Left	15"	45#
DWB-15R	\$1,607	Right	15"	45#

CONFIGURABLE OPTIONS

MODEL	DESCRIPTION	LIST	WGT
LSDW	Left side splash (DWB-14-C†)	\$189	1#
RSDW	Right side splash (DWB-14-C†)	\$189	1#

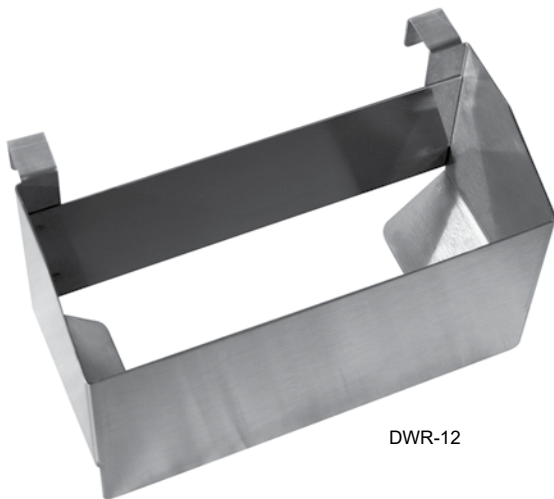
ACCESSORY

MODEL	DESCRIPTION	LIST	WGT
03000497	Rubbermaid Slim Jim®	\$299	10#

Bar Fabrication - Main Line

Dry Waste Rail

Pricing effective January 1, 2026



DWR-12

PRODUCT INFORMATION

(see DWR Spec Sheet for complete details)

- A Dry Waste Rail is 12" wide, 5" deep, and looks like a speed rail, but it is actually a removable stainless steel chute
- A 16" high or shorter trash receptacle is placed under the dry waste rail and the chute directs the refuse into the receptacle
- Dry waste rails cannot be used on Cabinets, Glassracks, or Ice Cream Freezers

DRY WASTE RAIL

MODEL	LIST	LENGTH	WEIGHT
DWR-12	\$277	12"	6#

ACCESSORIES

MODEL	DESCRIPTION	LIST	WGT
DWC	Trash receptacle, stainless steel	\$618	5#
03005491	Trash receptacle, 28½ qt, gray plastic	\$88	5#