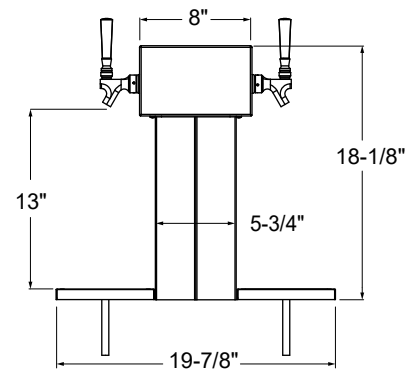


DT-16-SSR  
(handles not included)

NOTE: To convert standard faucet to stout style faucet, specify accessory model number BT-CFG and add \$270 List per faucet.



Side Elevation

**DOUBLE-SIDED TOWERS WITH DRAIN PAN AND 72" RESTRICTION LINES**

GRAINLINE FINISH		MIRROR FINISH		BRASS FINISH**		COLUMNS	FAUCETS	WGT	WIDTH	SYSTEM TYPE
MODEL	LIST	MODEL	LIST	MODEL	LIST					
DT-16-SSR	\$7,486	DT-16-MFR	\$7,991	DT-16-PBR	\$8,765	1	16	70#	16"	Glycol
DT-20-SSR	\$8,846	DT-20-MFR	\$9,421	DT-20-PBR	\$10,326	1	20	85#	20"	Glycol
DT-24-SSR	\$11,831	DT-24-MFR	\$12,674	DT-24-PBR	\$13,876	2	24	109#	24"	Glycol
DT-32-SSR	\$14,599	DT-32-MFR	\$15,583	DT-32-PBR	\$17,037	2	32	140#	32"	Glycol
DT-36-SSR	\$15,962	DT-36-MFR	\$17,014	DT-36-PBR	\$18,594	2	36	155#	36"	Glycol
DT-40-SSR	\$17,320	DT-40-MFR	\$18,444	DT-40-PBR	\$20,156	2	40	170#	40"	Glycol

**PRODUCT INFORMATION** (see DT Spec Sheet for complete details)

**STANDARD FEATURES**

- All stainless steel construction
- Includes surface mount drain pans with lift-out perforated inserts
- 1/4" shanks with 3/16" restriction lines
- Available in grainline finish, mirror finish, or brass finish
- Includes cold plate assembly and insulated restriction lines for glycol recirculating system
- Available in 16, 20, 24, 32, 36, and 40 faucet sizes

- All models include all stainless steel faucets and shanks to resist corrosion and prevent metallic leaching, making them ideal for both draft beer and wine applications

\*NOTE: Double-Sided Towers are manufactured to order and are not returnable.

\*\*NOTE: Brass finish towers provided with mirror finish drain pan and brass finish perforated insert

**RINSER FAUCET EXTENSION**

Double-Sided tower drain pans can be manufactured with rinsers faucet extensions to the left or right of the drain pan. A rinsers faucet extension will add 5" to the overall length of the drain pan. Add the RFE upcharge when placing your order.

NOTE: Rinsers faucets not intended for use with towers mounted to a refrigerator due to risk of water line freeze up.

Rinsers faucet installation notes:

- Unit does not provide a 1" air gap.
- Must be installed with external backflow prevention to meet applicable federal, state, and local plumbing code requirements.
- Install in-line water pressure regulator (included).
- A separate shut-off valve is recommended (not included).

MODEL	DESCRIPTION	LIST
RFE	Rinsers faucet extension	\$762



Beverage Dispensing