

PRODUCT INFORMATION

(see DI-MW Spec Sheet for complete details)

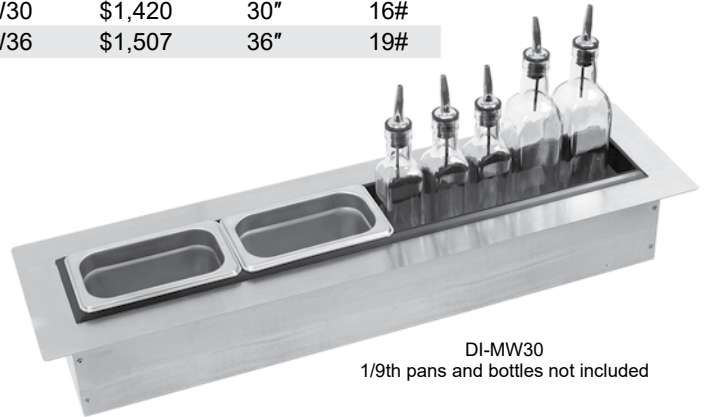
STANDARD FEATURES:

- Stainless steel top and interior liner
- PVC plastic breaker strip around well liner: creates 5/16" raised edge around liner and acts as thermal barrier to prevent heat transfer
- Stainless steel exterior wrap
- 4" deep well liner is 3-5/8" front-to-back
- Designed to hold up to 3-1/2" wide bottles or 1/9th pans
- Installation kit includes: 10' of clear vinyl drain tube, five - 4" Ty-wraps, one - 1/2" PVC elbow, one - 1/2" nylon elbow, and one drainline splicer

*NOTE: Drop-In Mixology Wells are manufactured to order and are not returnable

DROP-IN MIXOLOGY WELLS

MODEL	LIST	LENGTH	WEIGHT
DI-MW24	\$1,339	24"	13#
DI-MW30	\$1,420	30"	16#
DI-MW36	\$1,507	36"	19#



DI-MW30
1/9th pans and bottles not included

Pricing effective January 1, 2026

Drop-In Mixology Drink Rails*

PRODUCT INFORMATION

(see DI-MDR Spec Sheet for complete details)

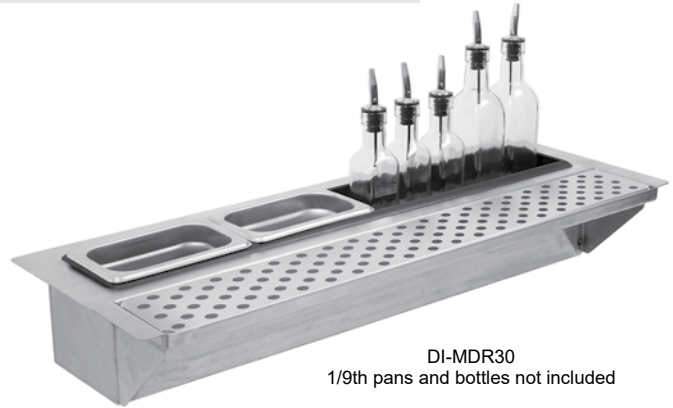
STANDARD FEATURES:

- Stainless steel top and interior liner
- PVC plastic breaker strip around ice bin liner: creates 5/16" raised edge around liner and acts as thermal barrier to prevent heat transfer
- One-piece top includes drain pan with removable perforated insert
- Stainless steel exterior wrap
- 4" deep well liner is 3-5/8" front-to-back
- Designed to hold up to 3-1/2" wide bottles or 1/9th pans
- Installation kit includes: 10' of clear vinyl drain tube, seven - 4" Ty-wraps, one - 1/2" PVC tee, one - 1/2" nylon elbow, and two drainline splicers

*NOTE: Drop-In Mixology Drink Rails are manufactured to order and are not returnable

DROP-IN MIXOLOGY DRINK RAILS

MODEL	LIST	LENGTH	WEIGHT
DI-MDR24	\$2,019	24"	16#
DI-MDR30	\$2,118	30"	20#
DI-MDR36	\$2,224	36"	24#



DI-MDR30
1/9th pans and bottles not included

Pricing effective January 1, 2026

Drop-In Drink Rails

PRODUCT INFORMATION

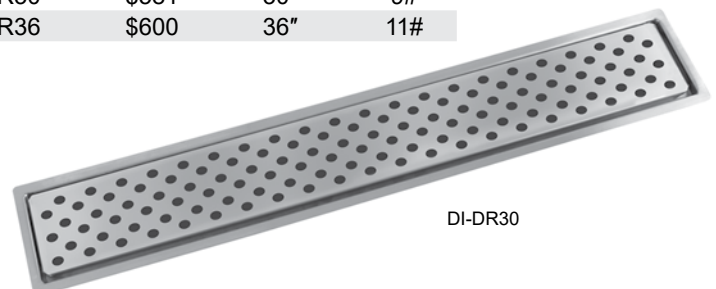
(see DI-DR Spec Sheet for complete details)

STANDARD FEATURES:

- All stainless steel construction
- Available in 24", 30", or 36" lengths
- Drain is a 1/2" welded tailpiece that exits from the bottom of the unit
- Drain pan includes 1/2" flange
- Installation kit includes: 10' of clear vinyl drain tube, five - 4" Ty-wraps, and two - 1/2" plastic elbows

DROP-IN DRINK RAILS

MODEL	LIST	LENGTH	WEIGHT
DI-DR24	\$559	24"	7#
DI-DR30	\$581	30"	9#
DI-DR36	\$600	36"	11#



DI-DR30

Bar Fabrication - Main Line