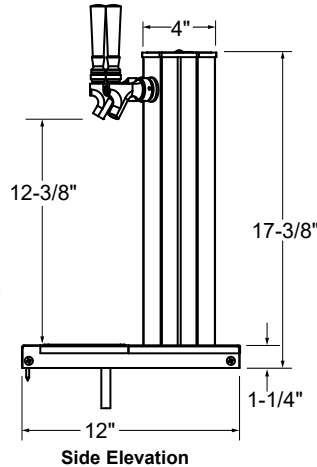




CT-3-SS  
(handles not included)



**PRODUCT INFORMATION**

(see CT Spec Sheet for complete details)

**STANDARD FEATURES**

- All stainless steel construction
- Integrated surface mount drain pan with lift-out perforated inserts
- 1/4" shanks with 3/16" restriction lines
- Available in grainline finish, mirror finish, or brass finish
- Available with cold plate assembly and insulated restriction lines for glycol recirculating system (specify suffix 'R' in the model number)
- Available in 1, 2, and 3 faucet sizes
- All models include all stainless steel faucets and shanks to resist corrosion and prevent metallic leaching, making them ideal for both draft beer and wine applications
- Unique internal support system for solid mounting
- Base plate serves as template for hole cutting
- Mounting holes will be pre-drilled at the factory if the host cooler is ordered with a finished top and the tower location is specified

NOTE: To convert standard faucet to stout style faucet, specify accessory model number BT-CFG and add \$270 List per faucet.

**COLUMN TOWERS WITH DRAIN PAN AND 7/2" RESTRICTION LINES**

GRAINLINE FINISH		MIRROR FINISH		BRASS FINISH**		FAUCETS	WGT	WIDTH	SYSTEM TYPE
MODEL	LIST	MODEL	LIST	MODEL	LIST				
CT-1-SS	\$1,277	CT-1-MF*	\$1,374	CT-1-PB*	\$1,582	1	13#	14"	Air Cooled
CT-1-SSR*	\$1,691	CT-1-MFR*	\$1,778	CT-1-PBR*	\$1,965	1	21#	14"	Glycol
CT-2-SS	\$1,480	CT-2-MF*	\$1,578	CT-2-PB*	\$1,786	2	15#	14"	Air Cooled
CT-2-SSR*	\$1,912	CT-2-MFR*	\$1,999	CT-2-PBR*	\$2,186	2	23#	14"	Glycol
CT-3-SS	\$1,896	CT-3-MF*	\$1,994	CT-3-PB*	\$2,202	3	18#	14"	Air Cooled
CT-3-SSR*	\$2,133	CT-3-MFR*	\$2,221	CT-3-PBR*	\$2,407	3	26#	14"	Glycol

\*NOTE: These Column Towers are manufactured to order and are not returnable

\*\*NOTE: Brass finish towers provided with mirror finish drain pan and brass finish perforated insert



**RINSER FAUCET EXTENSION**

Column tower drain pans can be manufactured with rinser faucet extensions to the left or right of the drain pan. A rinser faucet extension will add 5" to the overall length of the drain pan. Add the RFE upcharge when placing your order.

NOTE: Rinser faucets not intended for use with towers mounted to a refrigerator due to risk of water line freeze up.

MODEL	DESCRIPTION	LIST
RFE	Rinser faucet extension	\$762

Rinser faucet installation notes:

- Unit does not provide a 1" air gap.
- Must be installed with external backflow prevention to meet applicable federal, state, and local plumbing code requirements.
- Install in-line water pressure regulator (included).
- A separate shut-off valve is recommended (not included).

Beverage Dispensing