



CP1FL84 with compressor left, stainless doors and top

COOLERS - PASS-THRU, ONE ZONE, FRONT SERVICED, LOW PROFILE*

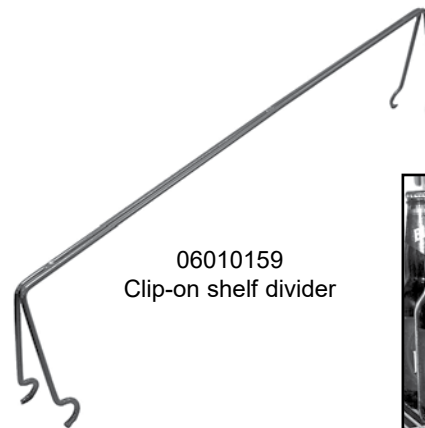
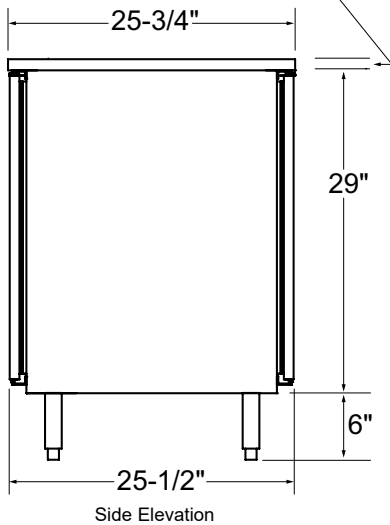
| MODEL | LIST | LENGTH | DOOR | | WEIGHT | AMPS | HP | LONGNECK CASES | 750ML WINE BOTTLES |
|----------|----------|--------|-------|---------|--------|------|-----|----------------|--------------------|
| | | | DOORS | OPENING | | | | | |
| CP1FL32* | \$9,099 | 32" | 2 | 16" W | 315# | 3.0 | 1/8 | 4.4 | 35 |
| CP1FL36* | \$9,194 | 36" | 2 | 20" W | 320# | 3.0 | 1/8 | 5.8 | 42 |
| CP1FL52* | \$11,921 | 52" | 4 | 16" W | 425# | 7.0 | 1/4 | 9.7 | 66 |
| CP1FL60* | \$12,178 | 60" | 4 | 20" W | 435# | 7.0 | 1/4 | 12.7 | 90 |
| CP1FL72* | \$15,560 | 72" | 6 | 16" W | 565# | 7.0 | 1/4 | 15.4 | 106 |
| CP1FL84* | \$15,897 | 84" | 6 | 20" W | 580# | 7.0 | 1/4 | 19.9 | 137 |

Base price only. See next page for configurable options.

*NOTE: CPIFL units are manufactured to order and are not returnable.

Bar Refrigeration

ADD 1" TO HEIGHT FOR FACTORY INSTALLED TOP



06010159
Clip-on shelf divider



PRODUCT INFORMATION

(see CPIFL Spec Sheet for complete details)

STANDARD FEATURES:

- Self-contained
- All stainless steel interior construction
- Two adjustable coated shelves per section
- Listed to NSF Standard 7 for open food as a storage refrigerator

ACCESSORIES

| MODEL | DESCRIPTION | LIST |
|----------|--|-------|
| CWS-16P | Wine rack shelf for 16" door opening, 5 bottle | \$196 |
| CWS-20P | Wine rack shelf for 20" door opening, 7 bottle | \$223 |
| 06010159 | Clip-on shelf divider | \$48 |

*NOTE: CP1FL units are manufactured to order and are not returnable.

Select Configurable Options:

VOLTAGE

| | |
|----------------------------|-----------|
| 120V/60HZ | No charge |
| 220V/50HZ (export voltage) | \$307 |

TEMPERATURE

| | |
|-----------------------------------|-----------|
| Beer / Food, 34° to 40°, standard | No charge |
| White wine, 50° to 55° | No charge |
| Red wine, 60° to 65° | No charge |

REFRIGERATION COMPARTMENT LOCATION

| | |
|-------|-----------|
| Left | No charge |
| Right | No charge |

REFRIGERATION COMPARTMENT COVER FINISH

NOTE: Specify and add for both the front and the back

| | |
|-------------------------|-----------|
| Black vinyl-clad | No charge |
| Unlaminated | No charge |
| Stainless steel | \$39 |
| Jeweled stainless steel | \$232 |
| Laminated | \$270 |

DOOR OPTIONS

NOTE: Select options for EACH Door Section

STYLE AND FINISH - PER SECTION

| | |
|---------------------------------|-----------|
| Door - Black vinyl-clad | No charge |
| Door - Unlaminated | No charge |
| Door - Stainless steel | \$48 |
| Door - Jeweled stainless | \$252 |
| Door - Laminated | \$288 |
| Door - Glass, black vinyl-clad | \$559 |
| Door - Glass, stainless steel | \$607 |
| Door - Glass, jeweled stainless | \$811 |
| Door - Glass, laminated | \$847 |

DOOR HINGE LOCATION - PER DOOR

| | |
|-------|-----------|
| Left | No charge |
| Right | No charge |

DOOR HANDLE - PER DOOR

| | |
|--|-----------|
| Signature handle | No charge |
| Pull-tab handle - stainless or black to match door; black for laminate | No charge |
| Tube handle | No charge |

TOP STYLE

| | 32" | 36" | 52" | 60" | 72" | 84" |
|-----------------|-----------|-------|-------|-------|-------|-------|
| No finished top | No charge | | | | | |
| Stainless top | \$562 | \$595 | \$728 | \$793 | \$894 | \$991 |

LEFT SIDE FINISH

| | |
|------------------|-----------|
| Black vinyl-clad | No charge |
| Stainless Steel | \$48 |

RIGHT SIDE FINISH

| | |
|------------------|-----------|
| Black vinyl-clad | No charge |
| Stainless Steel | \$48 |

LED LIGHTING STYLE

| | |
|---------------------------------|-----------|
| Bright white (7,000k), standard | No charge |
| Warm white (3,500k) | No charge |
| Amber (2,700k) | No charge |
| Blue | No charge |

LEG AND STAINLESS STEEL KICK RAILS

NOTE: Legs are required if kick rails are ordered.

| | 32" | 36" | 52" | 60" | 72" | 84" |
|----------------------|-------|-------|-------|-------|-------|-------|
| 6" legs | \$253 | \$253 | \$204 | \$204 | \$305 | \$305 |
| Front kick rail | \$137 | \$142 | \$162 | \$173 | \$190 | \$204 |
| Back kick rail | \$137 | \$142 | \$162 | \$173 | \$190 | \$204 |
| Left side kick rail | \$127 | \$127 | \$127 | \$127 | \$127 | \$127 |
| Right side kick rail | \$127 | \$127 | \$127 | \$127 | \$127 | \$127 |

CASTERS

| | 32" | 36" | 52" | 60" | 72" | 84" |
|----------------|-------|-------|-------|-------|-------|-------|
| 4-1/8" casters | \$223 | \$223 | \$182 | \$182 | \$275 | \$275 |
| 2-7/8" casters | \$220 | \$220 | \$176 | \$176 | \$264 | \$264 |
| 1-1/2" casters | \$387 | \$387 | \$310 | \$310 | \$464 | \$464 |



Signature handle



Pull-tab handle



Tube handle

Bar Refrigeration