

Model number C-MD-41 Choice modular bar die has an overall height of 41", which provides the appropriate overall height for most bar applications. However, some interior designs require an extra thick bar top, so Choice modular bar die is also available with an overall height of 38". See model C-MD-38.

With the Choice Modular Bar Die, underbar equipment is mounted to and supported on the bar die. All the underbar equipment is pre-assembled and mounted to the bar die at the factory, then broken down into shippable sections. Installation of the bar die is very simple - easier than a conventional style underbar with a millwork bar die. The result is a beautiful, innovative underbar line up that is sealed to the floor, stainless from floor to bar top, eliminates all underbar leg sets, and hides the soda, beer, electrical, and plumbing lines.

PRODUCT INFORMATION

(see C-MD Spec Sheet for complete details)

FEATURES

- 16 gauge galvanized steel structure with stainless steel bartender side finishing
- 20A GFI outlets built into bar die wall based on customer preference (wiring not provided)
- LED lights built into bar die wall above underbar equipment (wiring not provided)
- Built in chaseways for beer, soda, plumbing, and electrical lines

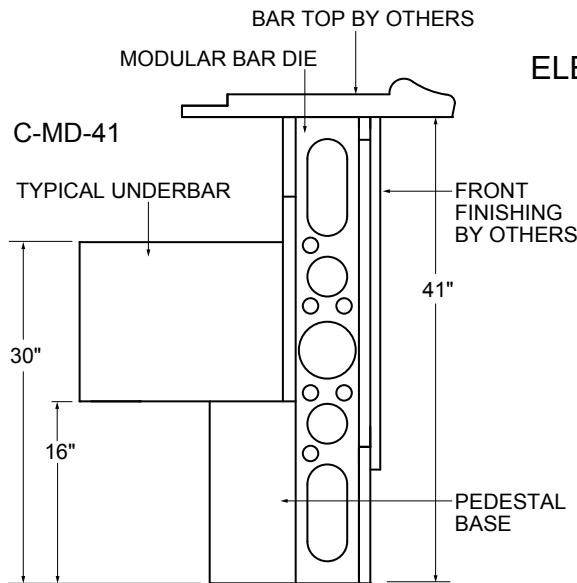
The total Number of feet required is calculated by determining the overall outside dimension of the bar die wall. Please round up to the nearest whole foot.

BENEFITS

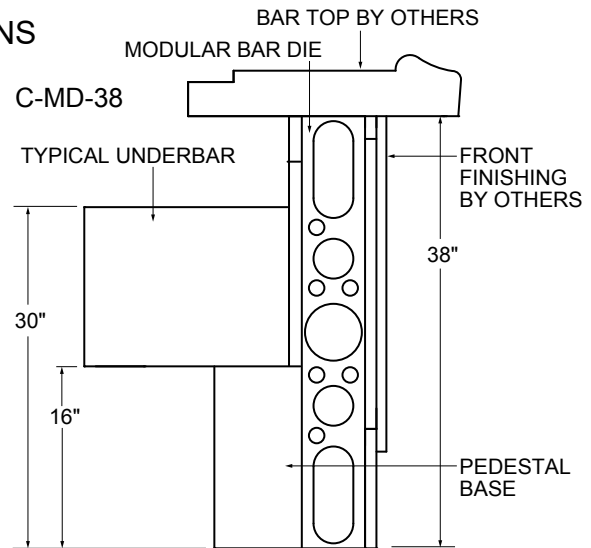
- Stainless steel from floor to bar top on bartender side
- Floor can be sealed to the bar die to prevent moisture from seeping from the bartender side to the customer side of the bar
- Galvanized steel structure will not rot
- Built-in chaseways hide beer, soda, plumbing, and electrical lines for a cleaner, more attractive bar
- Arrives pre-assembled from factory in sections up to 6 feet for easy installation - lowers installation costs. Just bolt the sections together, level, and attach the floor.
- Pre-engineered to exact dimensions to ensure a precise fit
- Can be used in conjunction with removable front millwork finishing panels to provide easy access to soda, beer, plumbing, and electrical lines for future modification, maintenance, or repair
- Millwork bar top and front panels can be pre-fabricated and easily attached
- Eliminates all underbar legs for easy cleaning



Bar Fabrication - Choice



SIDE ELEVATIONS



41" HIGH MODULAR BAR DIE

MODEL	DESCRIPTION	LIST	WEIGHT
C-MD-41	Price per foot	\$511	15#
MDT	48" wide vinyl template - price per foot	\$37	

38" HIGH MODULAR BAR DIE

MODEL	DESCRIPTION	LIST	WEIGHT
C-MD-38	Price per foot	\$511	15#
MDT	48" wide vinyl template - price per foot	\$37	